

Spare parts list

(2.642-911.0) FRV 30 ME

Table of contents

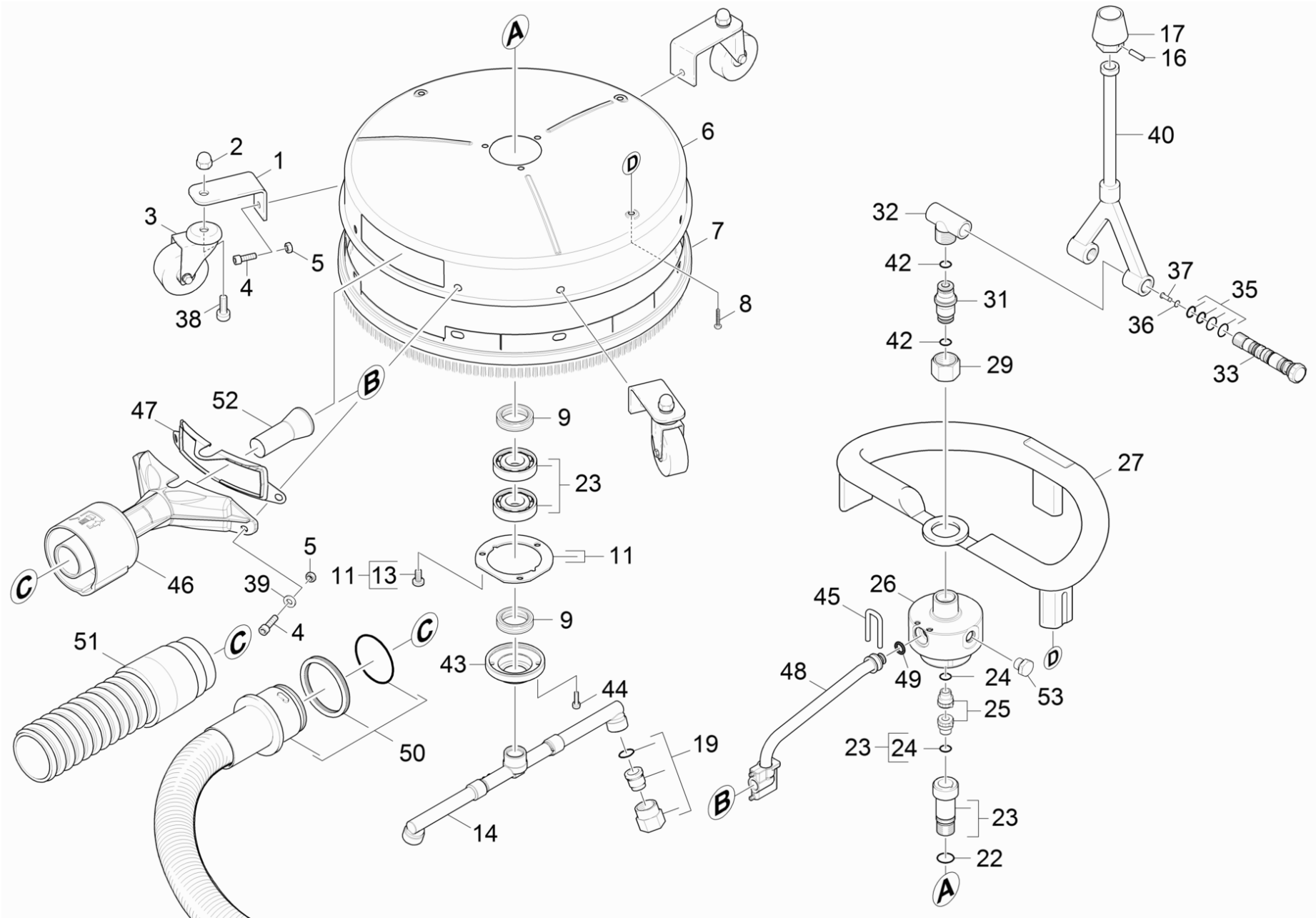
FRV 30 ME (2.642-911.0)	3
Spare parts list FRV 30 ME (5.972-318.0)	4
10 Surface cleaner	5
11 Spare part set flange (4.880-002.0)	8
23 Bearing complete (4.250-078.0)	9
50 Suction hose FRV 30 me (4.441-019.0)	11

FRV 30 ME (2.642-911.0)

POS	Article no.	Description	Quantity	Unit
0	5.972-318.0	Spare parts list FRV 30 ME	1.000	ST
Item text2: 3E0012B60D326654E1000000C34F56CF26404370				

Spare parts list FRV 30 ME (5.972-318.0)

POS	Description	Quantity	Unit
10	Surface cleaner	1.000	ST



10 Surface cleaner

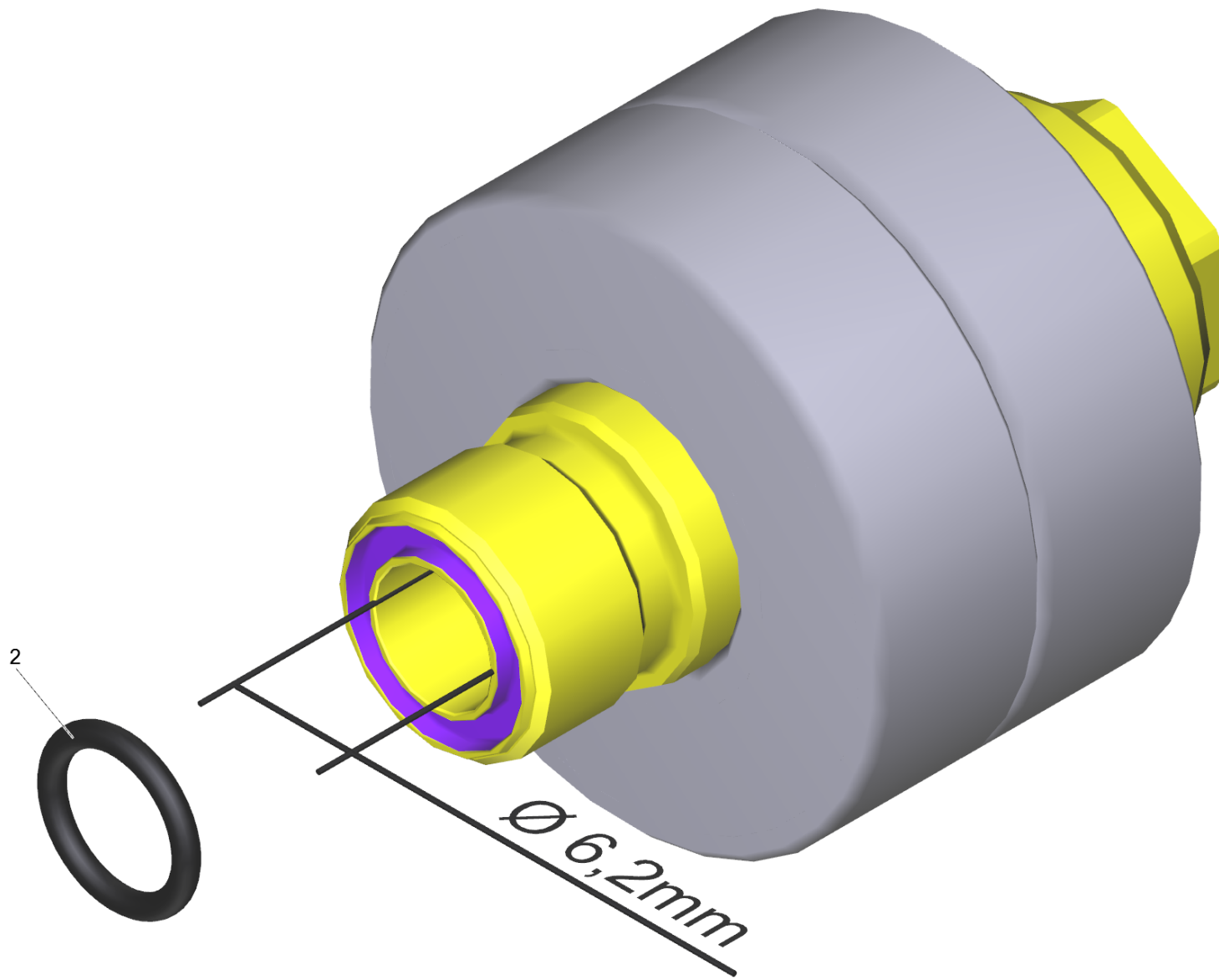
POS	Article no.	Description	Quantity	Unit
1	5.058-584.0	Holder	3.000	ST
2	7.311-402.0	Cap nut M10-A1-50 DIN 1587	3.000	ST
3	6.435-694.0	Castor	3.000	ST
4	7.306-192.0	Screw M 6x 12-A2-70 (In6Rd)	7.000	ST
5	7.311-128.0	Hexagon nut M6 -A4 DIN 985	7.000	ST
6	5.033-872.0	Cover ME	1.000	ST
7	6.371-293.0	Brush-corona FRV 30 Me	1.000	ST
8	7.303-117.0	Screw 4x20 -A2-70 (In6Rd)	3.000	ST
9	7.367-000.0	Radial shaft seal ring A20x30x7-NBR DIN	2.000	ST
10	6.362-475.0	O-Ring seal 44,17X 1,78-NBR 70	1.000	ST
11	4.880-002.0	Spare part set flange	1.000	ST
13	7.306-180.0	Screw M5x10-A2-70 (In6Rd)	3.000	ST
14	4.764-273.0	Nozzle holder	1.000	ST
16	6.343-150.0	Pin 03	1.000	ST
17	5.394-530.0	Protection part complete	1.000	ST
19	2.642-433.0	Nozzle pack 050	1.000	ST
19	2.642-982.0	Nozzle pack 080	1.000	ST
19	2.642-432.0	Nozzle pack 045	1.000	ST
19	2.642-430.0	Nozzle pack 035	1.000	ST
19	2.642-431.0	Nozzle pack 040	1.000	ST
22	6.363-492.0	O-Ring seal 8,0x1,5	1.000	ST
23	4.250-078.0	Bearing complete	1.000	ST
24	6.362-658.0	O-Ring seal 7 X 1,5-NBR 90	2.000	ST
25	5.111-322.0	Sleeve	2.000	ST
26	5.108-306.0	Turned part	1.000	ST
27	5.321-716.0	Handhold	1.000	ST
29	7.383-004.0	Union nut B1 LL15 -Ms DIN3870	1.000	ST
31	5.424-161.0	Sealing cone	1.000	ST
32	5.427-314.0	T-Piece	1.000	ST
33	5.100-428.0	Shaft	1.000	ST
35	2.883-982.0	Spare part set O-Ring seal	1.000	ST
36	6.362-360.0	O-Ring seal 4,0 X 1,0-EPDM 77	1.000	ST
37	5.317-098.0	Bolt	1.000	ST

10 Surface cleaner

POS	Article no.	Description	Quantity	Unit
38	7.306-234.0	Cylinder head screw M10x20-A4-70 ISO 47	3.000	ST
39	7.312-026.0	Washer 6 -A2 ISO 7089	7.000	ST
40	4.481-207.0	Joint	1.000	ST
42	2.880-154.0	O-Ring kit	1.000	ST
43	5.122-443.0	Flange	1.000	ST
44	7.306-204.0	Screw M 3X 10-A2-70 (IN6RD)	4.000	ST
45	5.037-109.0	HOOK	1.000	ST
46	5.033-873.0	Moulded part diffusor	1.000	ST
47	5.363-011.0	Seal	1.000	ST
48	4.427-358.0	Manifold complete	1.000	ST
49	6.362-383.0	O-Ring seal 6,0 X 2,0	1.000	ST
50	4.441-019.0	Suction hose FRV 30 me	1.000	ST
51	4.441-040.0	Suction hose extended FRV Metall	1.000	ST
52	5.111-376.0	Sleeve FRV	1.000	ST
53	5.411-070.0	Screw plug	1.000	ST

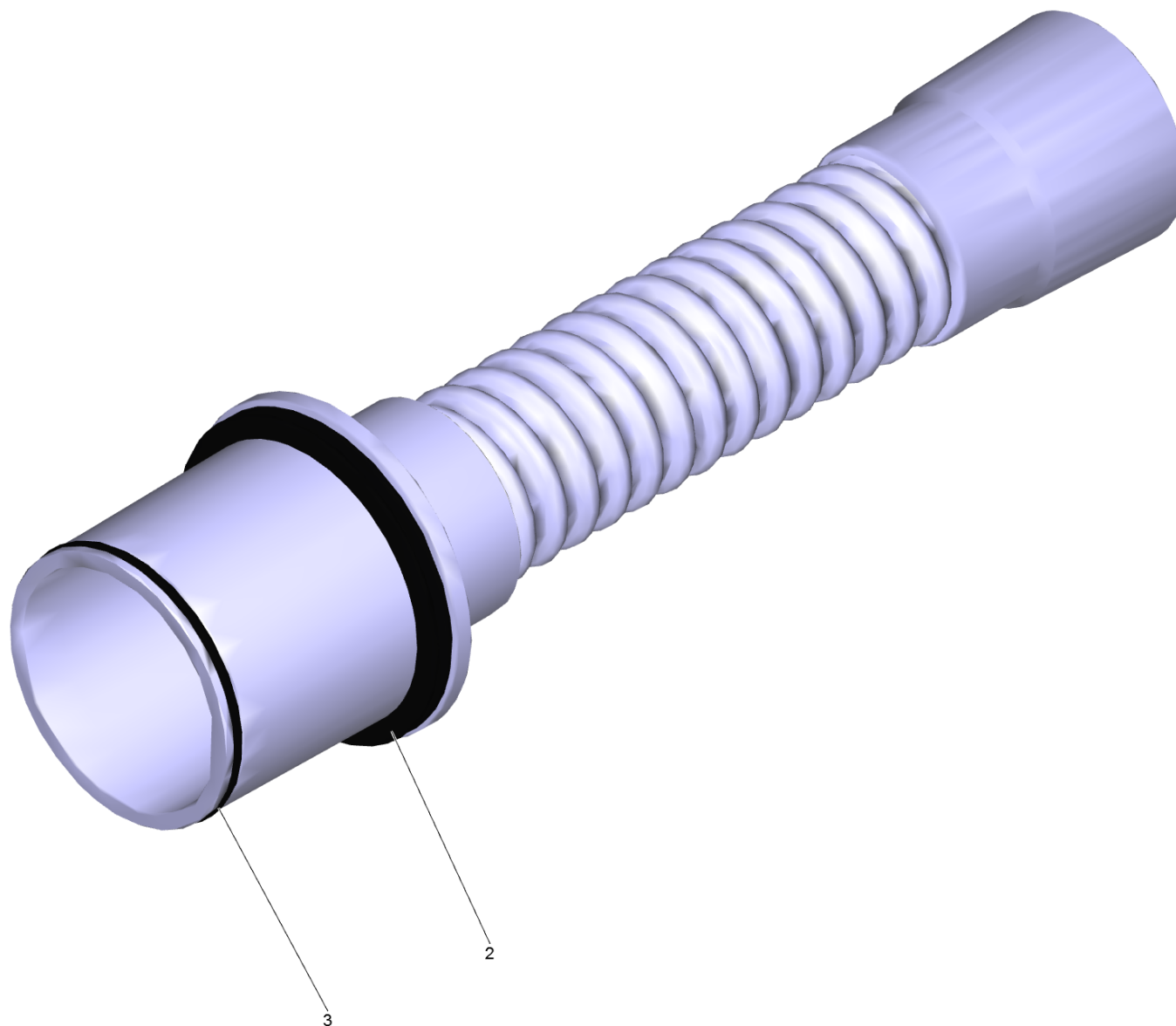
11 Spare part set flange (4.880-002.0)

POS	Article no.	Description	Quantity	Unit
2	7.306-180.0	Screw M5x10-A2-70 (In6Rd)	3.000	ST



23 Bearing complete (4.250-078.0)

POS	Article no.	Description	Quantity	Unit
2	6.362-658.0	O-Ring seal 7 X 1,5-NBR 90	1.000	ST



50 Suction hose FRV 30 me (4.441-019.0)

POS	Article no.	Description	Quantity	Unit
3	6.273-009.0	Joint ring EPDM	1.000	ST
4	6.363-340.0	O-Ring 50 x 2,2 NBR 80	1.000	ST