

Table of contents

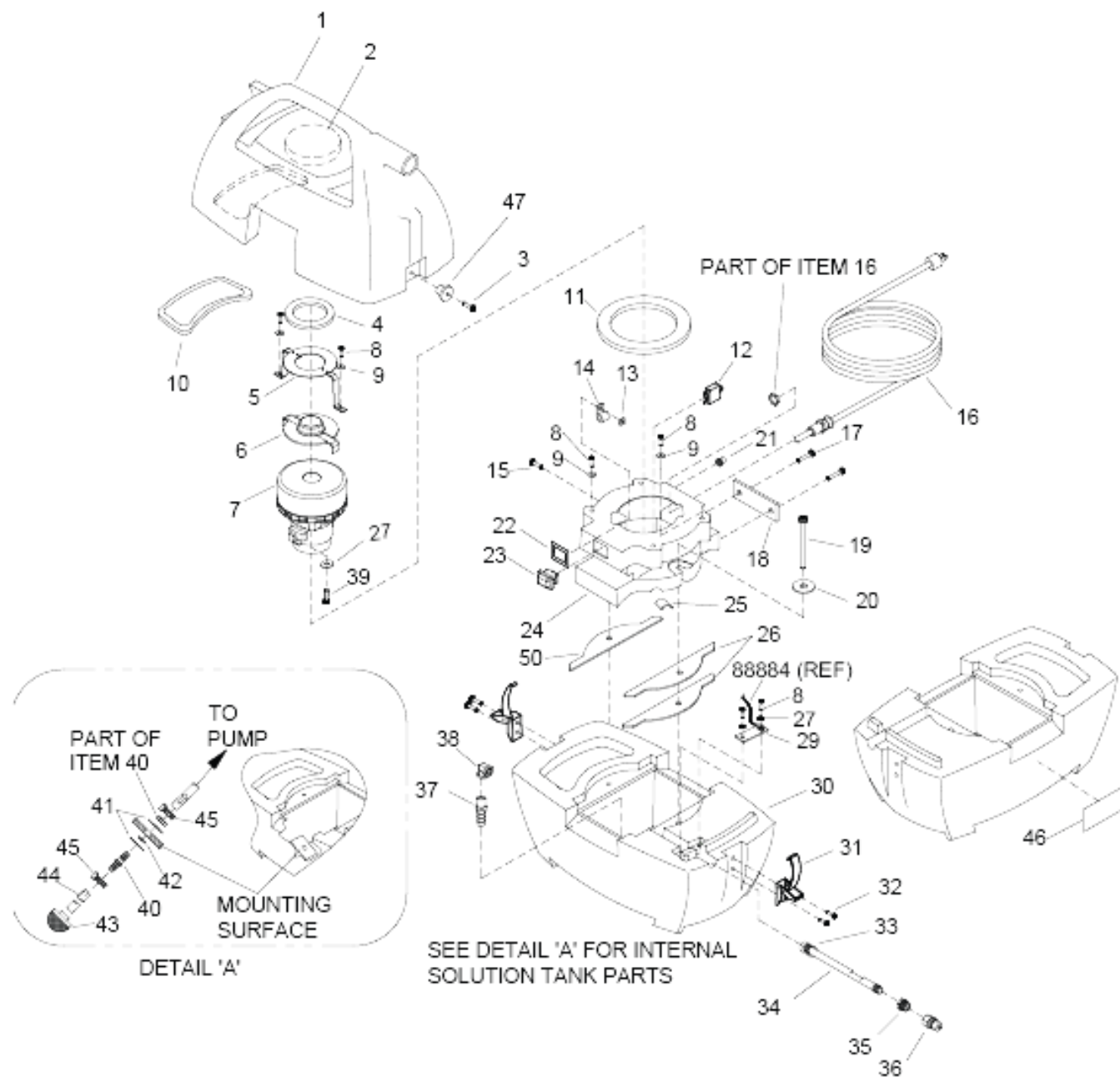
120V PRESTO 3 DLX (9.840-069.0)	2
10 SPOTTER, 120V US (1.003-012.0)	3
9030 EXTRACTOR	4
9040 SOLUTION PUMP	7
9050 WIRING DIAGRAM	9
9060 HAND TOOL	11
9070 MINI CART	13
9080 CART	15

120V PRESTO 3 DLX (9.840-069.0)

POS	Article no.	Description	Quantity	Unit
10	1.003-012.0	SPOTTER, 120V US	1	PC
20	8.600-494.0	Label PRESTO	1	PC
30	8.600-004.0	SPOTTER DOUBLE DRY HANDTOOL	1	PC

10 SPOTTER, 120V US (1.003-012.0)

POS	Description	Quantity	Unit
9030	EXTRACTOR	1	PC
9040	SOLUTION PUMP	1	PC
9050	WIRING DIAGRAM	1	PC
9060	HAND TOOL	1	PC
9070	MINI CART	1	PC
9080	CART	1	PC

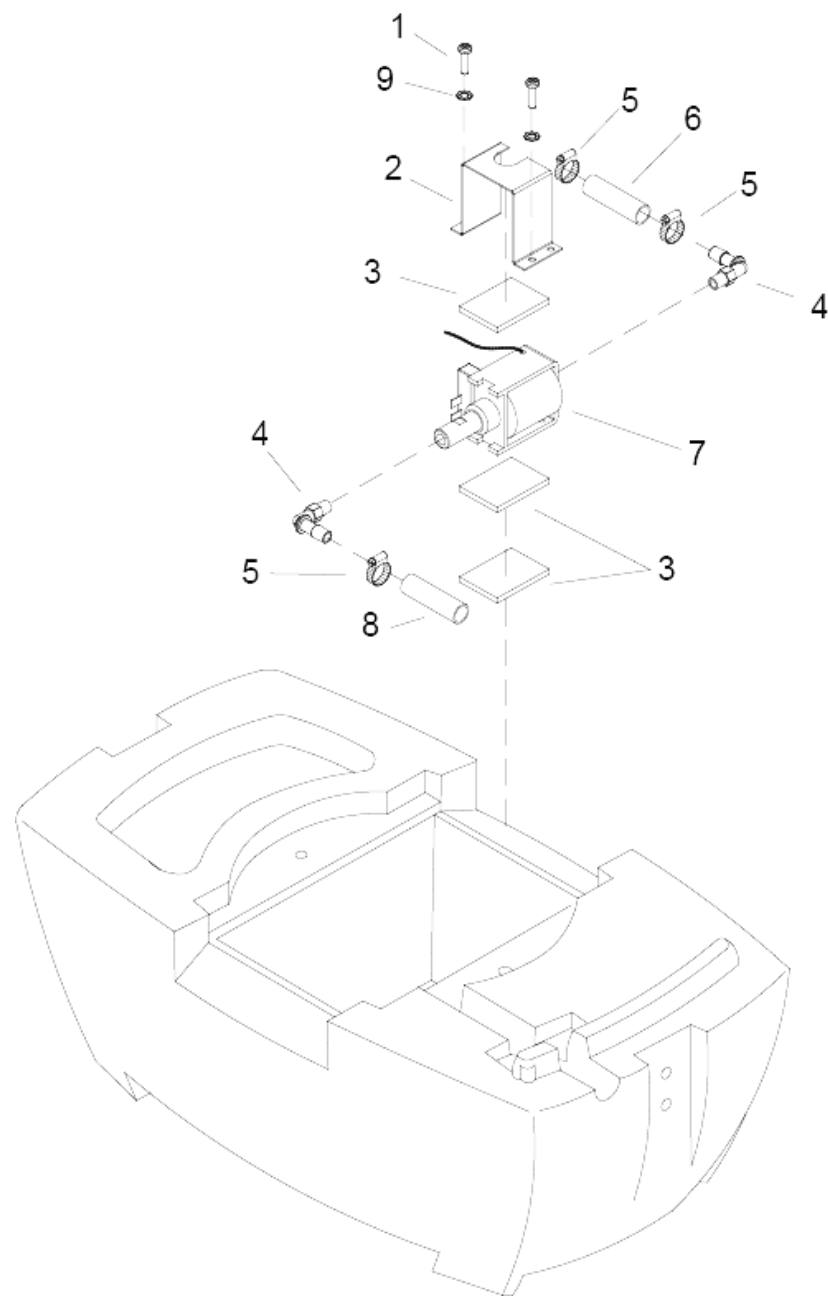


9030 EXTRACTOR

POS	Article no.	Description	Quantity	Unit	Remark
1	8.622-520.0	Tank RECOVERY PRESTO	1	PC	
2	7.777-999.0	Stockpiling discontinued	1	PC	
3	8.622-373.0	Screw 8-32 X 1/2 FHMS STL BLK ZNPLT	2	PC	
4	8.623-744.0	Seal 4.06 x 2.50 x .38	1	PC	
5	8.622-344.0	Retainer vac motor	1	PC	
6	8.621-731.0	Cover vac motor	1	PC	
7	8.625-844.0	Blower motor 120V 5.7 2ST LNP	1	PC	
8	8.627-429.0	SCREW, 10-32 X .375 PHPNHMS SS	6	PC	
9	8.622-577.0	Washer M6 FLT SS	4	PC	
10	8.623-741.0	GASKET, SPOTTER RECOVERY	1	PC	
11	8.623-742.0	GASKET, 4.0"X5.5--X.25T PORON	1	PC	
12	8.621-567.0	BREAKER, 8A VDE CIRCUIT	1	PC	
13	8.601-069.0	WASHER, 1/8 RIVET	1	PC	
14	8.626-116.0	Capacitor assembly EMI SPOTTER	1	PC	
15	8.613-654.0	RIVET, M4 X 18GL	1	PC	
16	8.621-706.0	Cord assembly 14X3 25' YLW SPOTTER	1	PC	U.S. MACHINE
17	8.613-655.0	RIVET, M3 X 12GL	2	PC	
18	8.607-965.0	Plate Data Label	1	PC	
19	8.627-587.0	SCREW, 1/4-20 X 1.5 PHPNHMS SS	2	PC	
20	8.622-576.0	Washer M8 FLT STL ZNPLT	2	PC	
21	8.600-201.0	BOOT, 3/8 CIRCUIT BREAKER	1	PC	
22	8.623-351.0	Clip switch Retaining	1	PC	
23	8.622-511.0	Switch DPST 250V 16(4) SPLASH	1	PC	
24	8.621-931.0	Housing vacuum PRESTO	1	PC	
25	8.623-746.0	GASKET, .31 X .75 X 1.98	1	PC	
26	8.623-745.0	GASKET, VAC HOUSING 3/16"	2	PC	
27	8.601-064.0	Washer #10 LOCK EXT STAR SS	3	PC	
28	8.621-803.0	GASKET, VAC HOUSING 3/8"	1	PC	
29	8.606-856.0	Bracket nipple PRESTO	1	PC	
30	8.622-519.0	Tank SOLUTION, TRIM	1	PC	
31	8.624-618.0	LATCH, PRESTO TANK	2	PC	
32	8.600-652.0	SCREW, 8-32 X .375 PHPNHMS SS	4	PC	
33	8.621-816.0	GASKET, GROUND WIRE	1	PC	

9030 EXTRACTOR

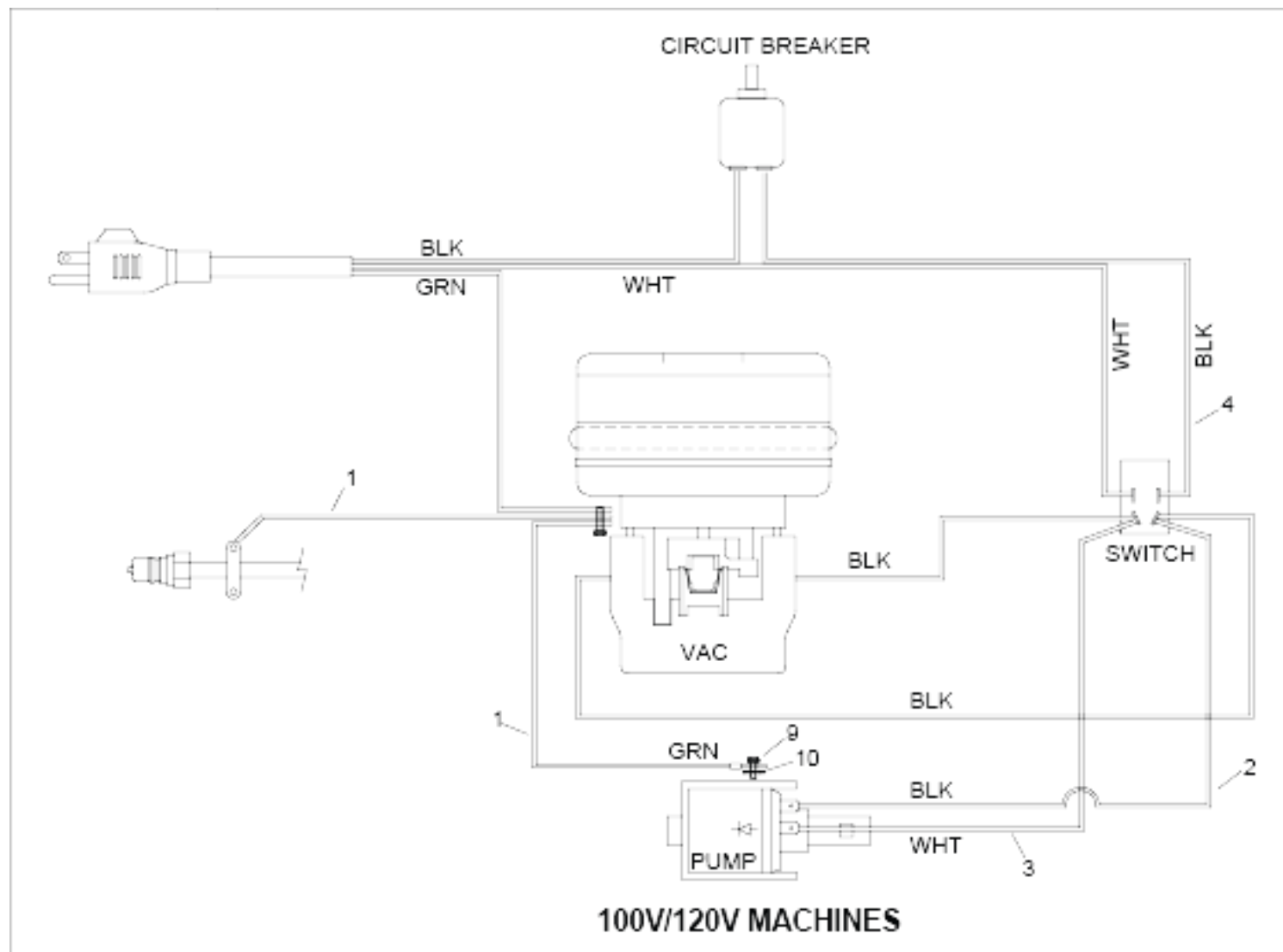
POS	Article no.	Description	Quantity	Unit	Remark
34	8.624-774.0	Nipple 1/4 X 6.0 BRASS	1	PC	
35	8.622-722.0	Adapter 1/8MPT X 1/4FPT Brass	1	PC	
36	8.620-082.0	Nipple 1/8	1	PC	
37	8.619-758.0	Hosebarb 1/4MPT X 3/8	1	PC	
38	8.619-737.0	ELBOW, 1/4FPT X 1/4FPT	1	PC	
39	8.628-845.0	SCREW, M4.8 X 10 PHTF TYPEB	1	PC	
40	8.625-831.0	Bulkhead union	1	PC	
41	8.627-932.0	WASHER, .515 X .875 X .063 FLT SS	2	PC	
42	8.624-809.0	O-Ring seal .500 ID X.688 OD X.103	1	PC	
43	8.600-770.0	Strainer 80 MESH X 3/8 FPT	1	PC	
44	8.621-901.0	Hose 3/8ID SGLBRD RBR X 5"	1	PC	
45	8.623-315.0	CLAMP, 3/8 HOSE (D-SLOT)	2	PC	
46	8.622-014.0	LABEL, WARNING	1	PC	
47	8.624-179.0	KEEPER, PRESTO LATCH	2	PC	



9040 SOLUTION PUMP

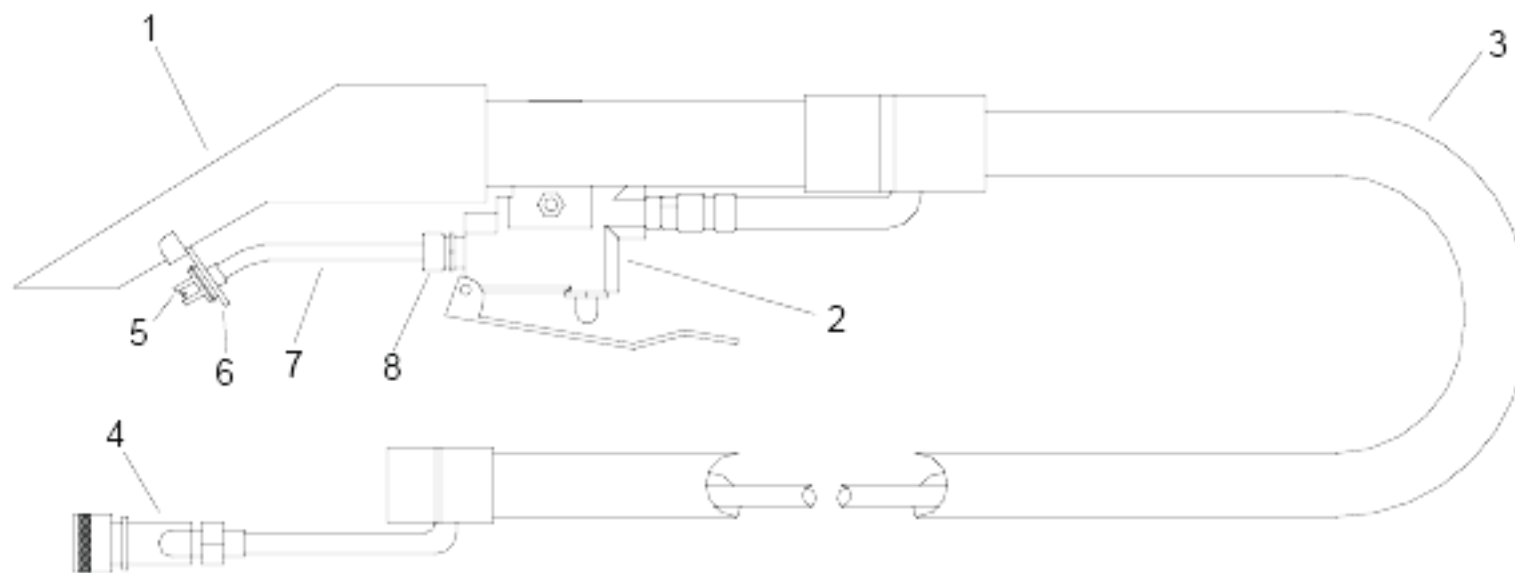
POS	Article no.	Description	Quantity	Unit
1	8.627-571.0	Screw 10-32 X .375 PHPNH	2	PC
2	8.606-869.0	Bracket solenoid pump PRESTO	1	PC
3	8.623-753.0	GASKET, TUBE SEAL	3	PC
4	8.619-759.0	Hosebarb 1/8MPT x 3/8 90D	2	PC
5	8.623-315.0	CLAMP, 3/8 HOSE (D-SLOT)	3	PC
6	8.624-029.0	Hose 3/8ID WIREBOUND X 2.6"	1	PC
7	8.620-111.0	PUMP, 110/120 60HZ FLOJET	1	PC
8	8.628-131.0	Hose 3/8ID WIREBOUND X 8.8"	1	PC
9	8.601-064.0	Washer #10 LOCK EXT STAR SS	2	PC

9050 WIRING DIAGRAM



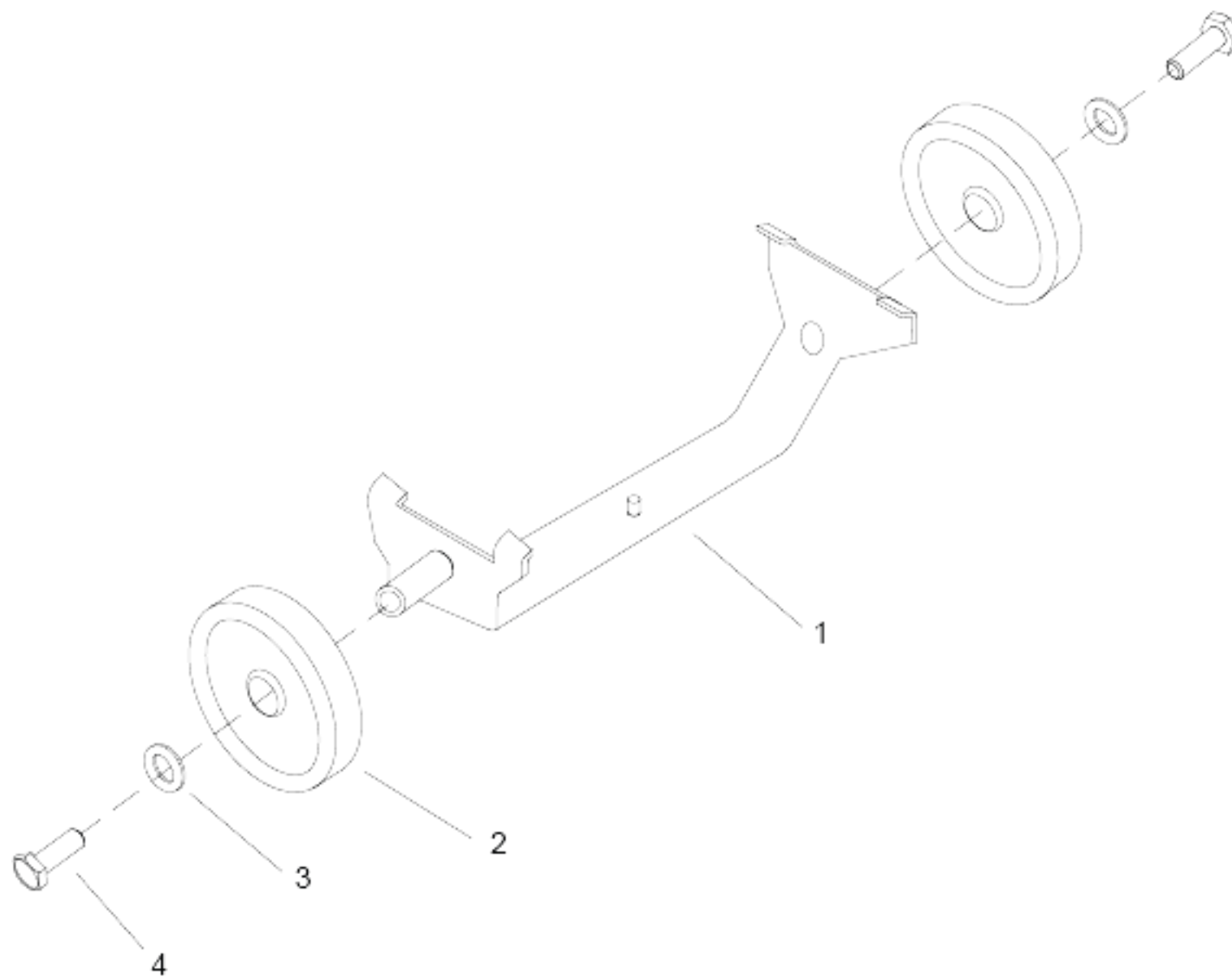
9050 WIRING DIAGRAM

POS	Article no.	Description	Quantity	Unit
1	8.622-631.0	Wire 18.5" GRN/18 76008 X 76008	2	PC
2	8.622-610.0	Wire 15" BLK/14 76050 X 76029	1	PC
3	8.622-611.0	Wire 15.4" WHT/14 76050 X 76029	1	PC
4	8.622-612.0	Wire 9" BLK/14 76029 X 76029	1	PC
5	8.600-677.0	SCREW, 10-32 X .25 PHPNHTF STL ZNPLT	1	PC
6	8.601-064.0	Washer #10 LOCK EXT STAR SS	1	PC



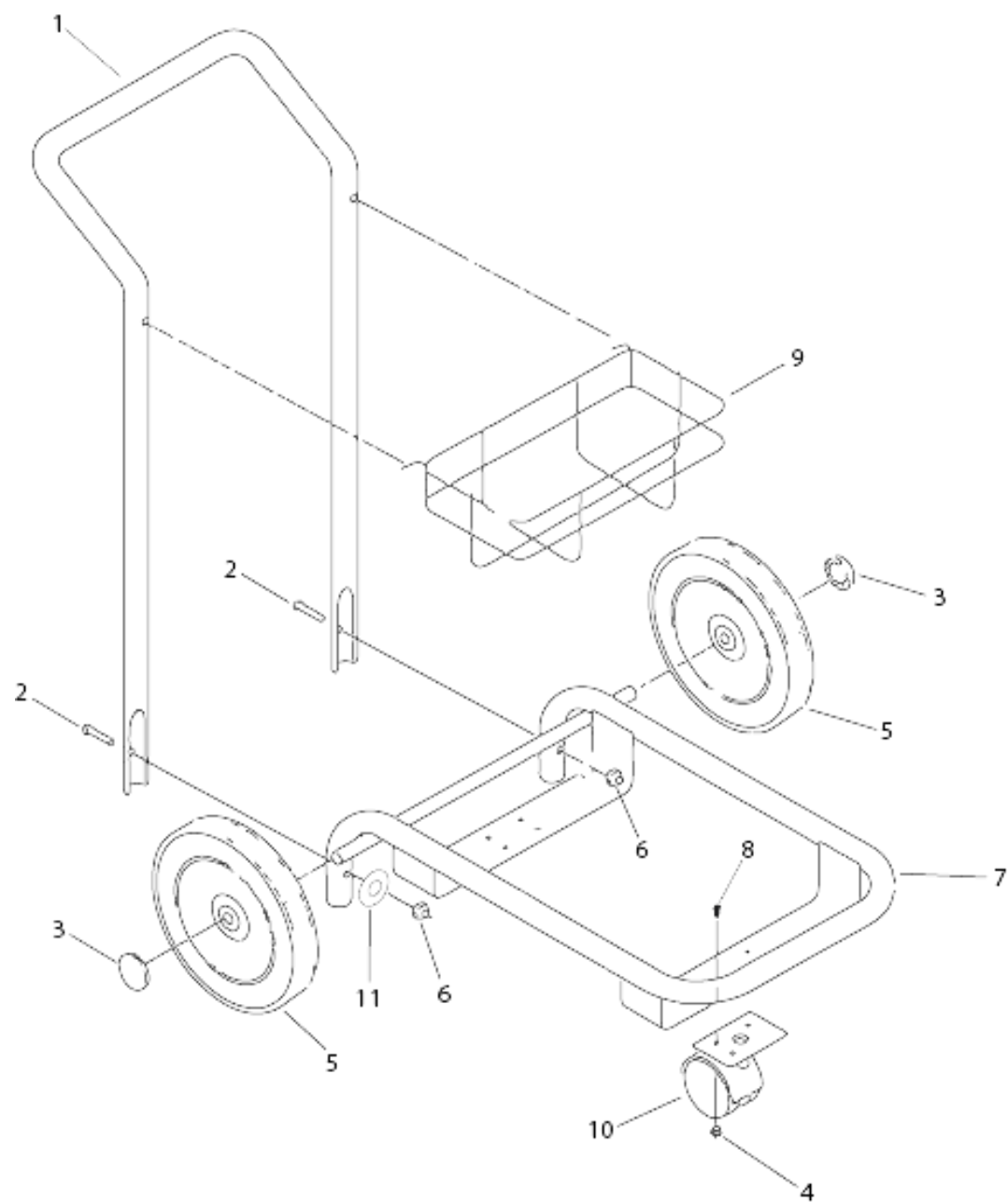
9060 HAND TOOL

POS	Article no.	Description	Quantity	Unit	Remark
-	8.621-879.0	HANDTOOL, SPOTTER	1	PC	ENTIRE ASSEMBLY AS KIT
1	8.621-934.0	Housing handtool SPOTTER	1	PC	
2	8.622-567.0	Valve complete SPOTTER	1	PC	
3	8.621-902.0	Hose assembly VAC/SOLUTION	1	PC	
4	8.620-081.0	Nipple 1/8 FPT QD FEM BRASS	1	PC	
5	8.621-957.0	JET assembly W/O-RING OKA	1	PC	
6	8.622-310.0	Plate retainer W/HARDWARE	1	PC	
7	8.622-191.0	Manifold SPOTTER	1	PC	
8	8.621-800.0	Fitting 1/8 MPT X 3/16 COMP	1	PC	



9070 MINI CART

POS	Article no.	Description	Quantity	Unit
-	8.622-203.0	MINI-CART	1	PC
1	8.622-295.0	Plate weldment	1	PC
2	8.625-977.0	WHEEL, 5"D X 1~ X .5~ID GRY	2	PC
3	8.613-728.0	WASHER, M8 FLT STL DIN125A ZNPLT	2	PC
4	8.613-664.0	SCREW, M8-1.25 X 20 HHMS ZNPLT	2	PC



9080 CART

POS	Article no.	Description	Quantity	Unit	Remark
-	8.600-003.0	SPOTTER CART U19808	1	PC	ENTIRE ASM AS KIT
1	8.608-927.0	Tube handle cart	1	PC	
2	8.627-374.0	SCREW, 1/4-20 X 1.5 HHCS SS	2	PC	
3	8.627-138.0	NUT, 1/2 DOME PUSH STL ZNPLT	2	PC	
4	8.600-570.0	NUT, 10-32 HEXSTRW LK STL ZNPLT	4	PC	
5	8.625-997.0	X-REF TO 8.639-789.0 7/15	2	PC	
6	7.777-999.0	Stockpiling discontinued	2	PC	
7	8.609-213.0	CART BASE ASM, SPOTTER	1	PC	
8	8.600-659.0	SCREW, 10-32 X .5 PHPNHMS SS NP	2	PC	
9	8.622-834.0	Carrying basket 3 bottle	1	PC	
10	8.623-253.0	CASTER, 2.5 DIA	1	PC	
11	8.601-063.0	WASHER, 1/4 SS	2	PC	