

## **Spare parts list**

(1.008-061.0) BRC 45/38 120V

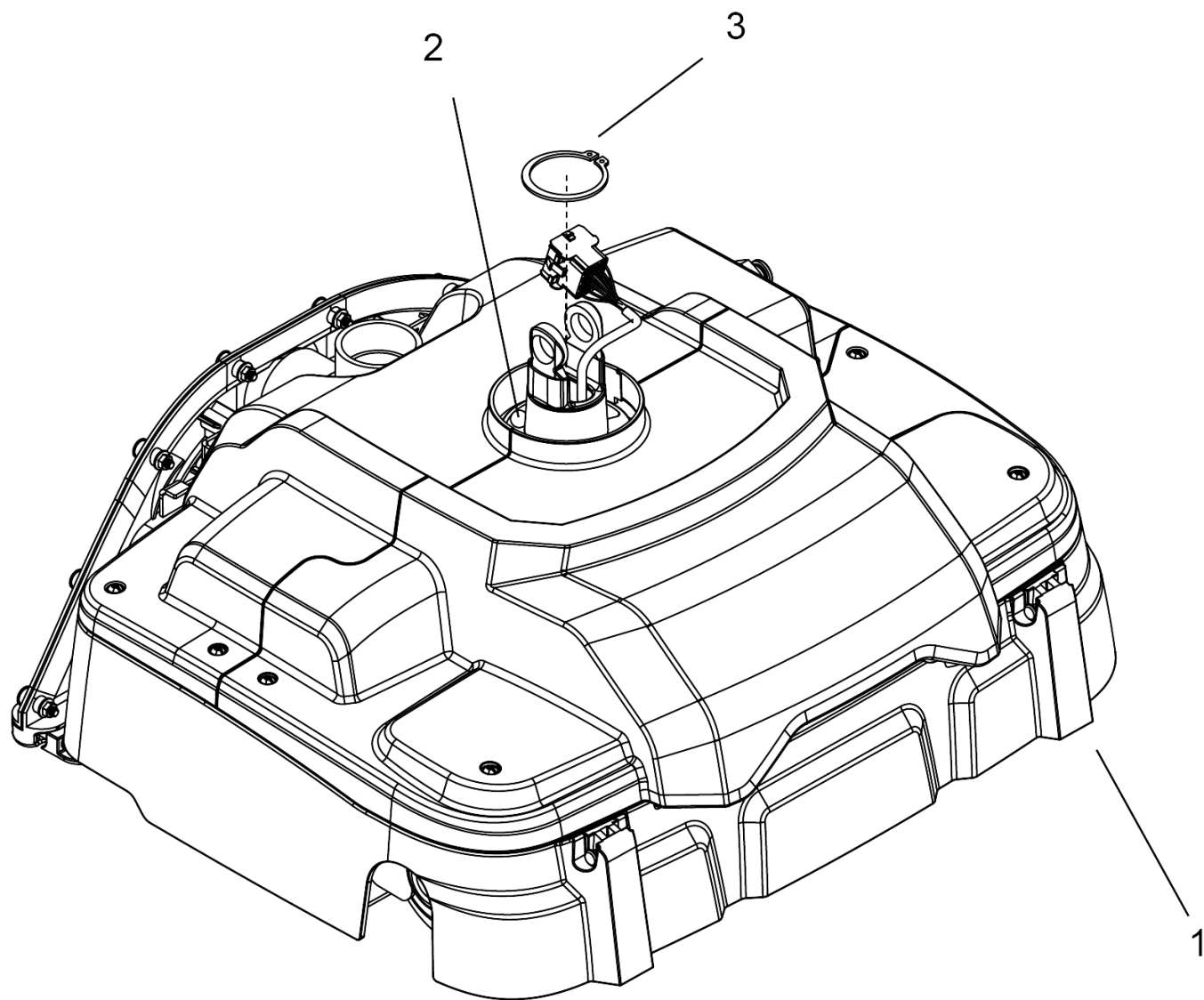
## Table of contents

---

BRC 45/38 120V (1.008-061.0)	3
10 Deck- Add-on	4
1 Group deck BRC 45/38 (8.643-007.0)	6
20 Deck Brush Assembly	8
30 Deck Brush Mount	10
40 Deck Drive	12
50 Deck Jets	14
60 Deck Top Plate	16
70 Deck Vac Shoe	18
80 Electrical	20
90 Frame	22
100 Labels	24
110 Recovery	26
120 Solution	28
130 Steering	30
3 UPPER STEERING PILLAR (8.640-343.0)	32
140 Tower	34
150 Vacuum	36
9 ASSEMBLY, VACUUM, 120V (8.641-412.0)	38
160 Group loose pack BRC 45/38	40
170 Wiring Components	41

BRC 45/38 120V (1.008-061.0)

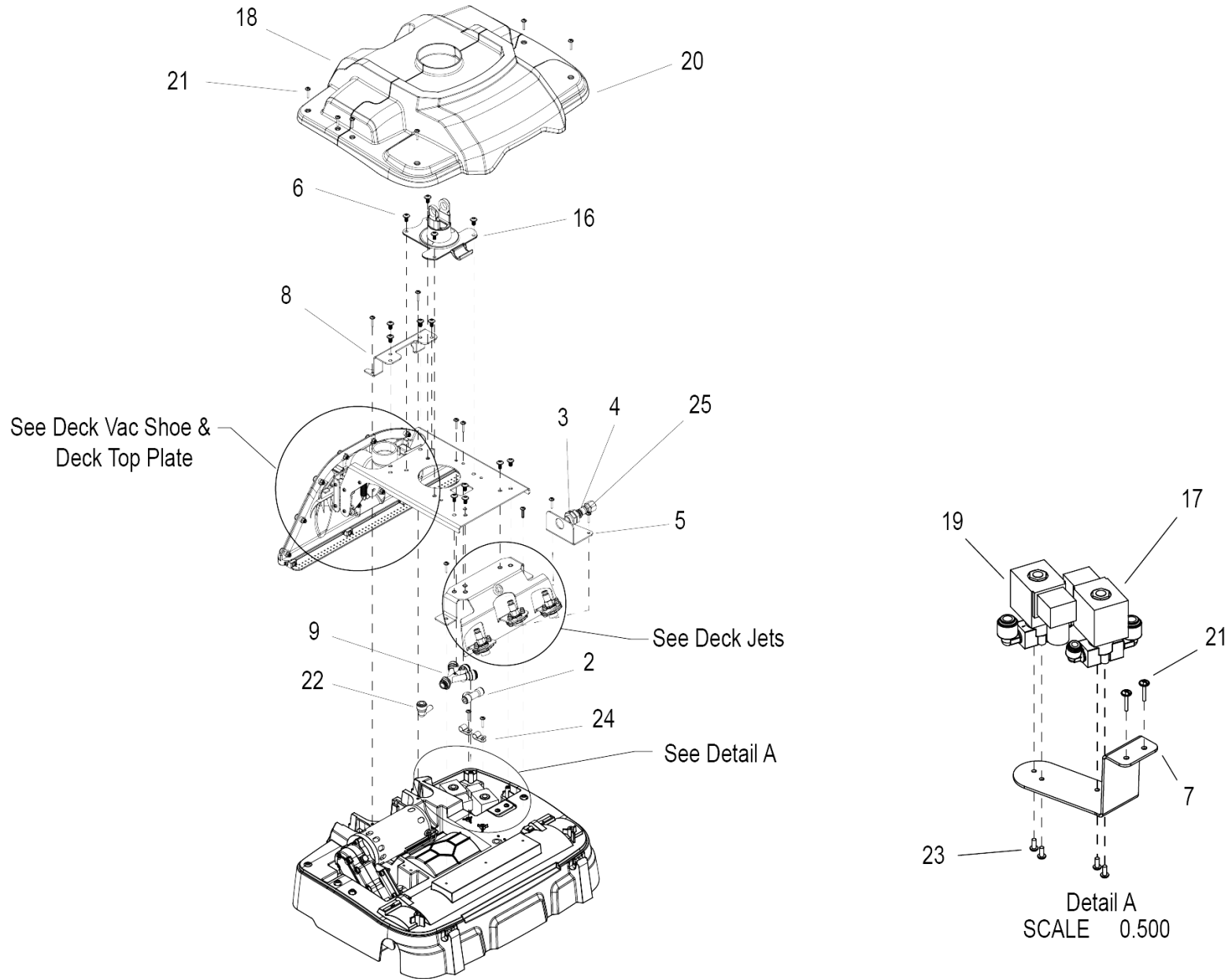
POS	Description	Quantity	Unit
10	Deck- Add-on	1	PC
20	Deck Brush Assembly	1	PC
30	Deck Brush Mount	1	PC
40	Deck Drive	1	PC
50	Deck Jets	1	PC
60	Deck Top Plate	1	PC
70	Deck Vac Shoe	1	PC
80	Electrical	1	PC
90	Frame	1	PC
100	Labels	1	PC
110	Recovery	1	PC
120	Solution	1	PC
130	Steering	1	PC
140	Tower	1	PC
150	Vacuum	1	PC
160	Group loose pack BRC 45/38	1	PC
170	Wiring Components	1	PC



## 10 Deck- Add-on

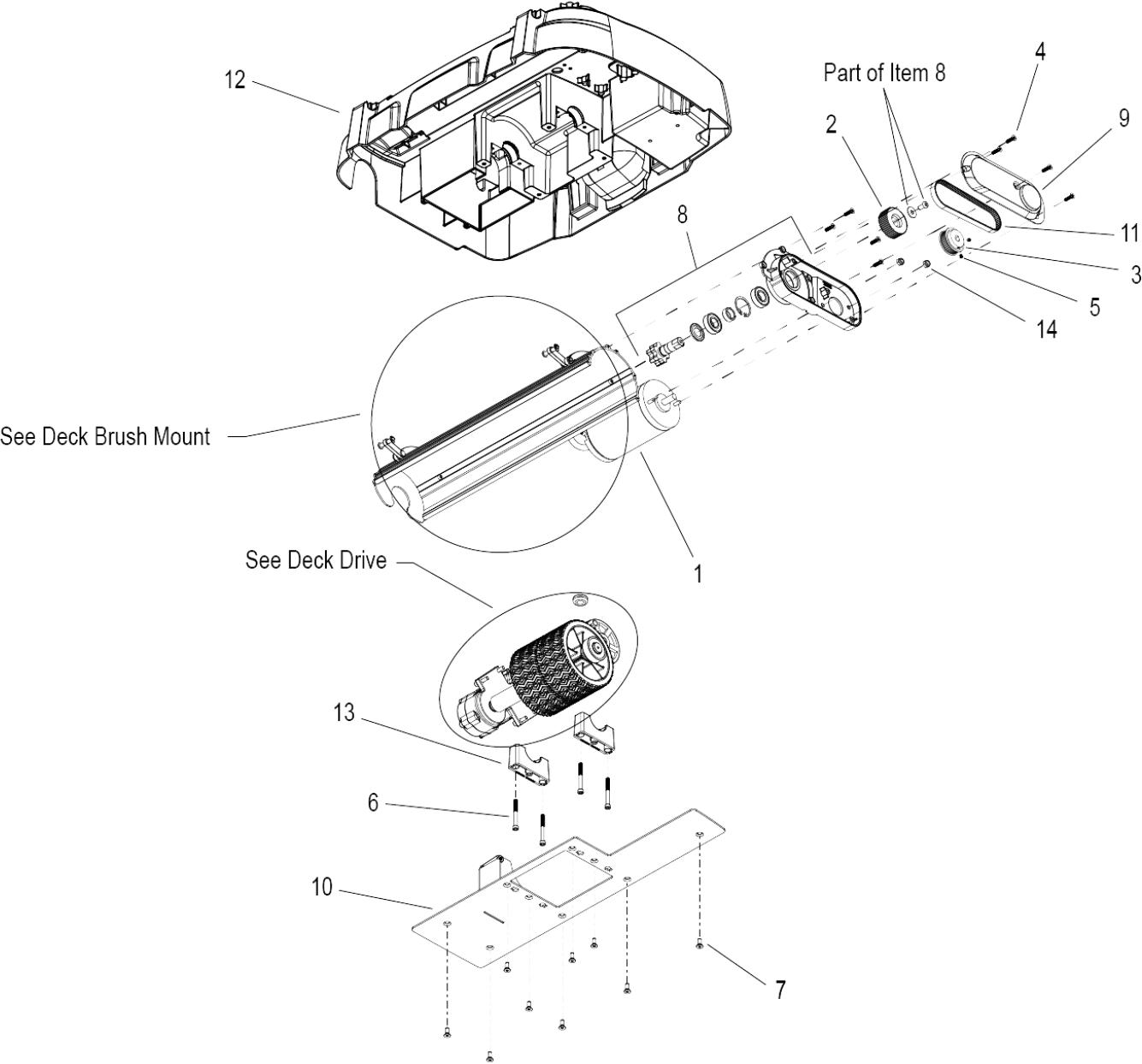
---

<b>POS</b>	<b>Article no.</b>	<b>Description</b>	<b>Quantity</b>	<b>Unit</b>
1	8.643-007.0	Group deck BRC 45/38	1	PC
2	7.401-917.0	Sphere 10,0 G100-1.4301 DIN 5401	1	PC
3	7.343-019.0	Locking ring 45x1,75-FST-RF DIN 471	1	PC



1 Group deck BRC 45/38 (8.643-007.0)

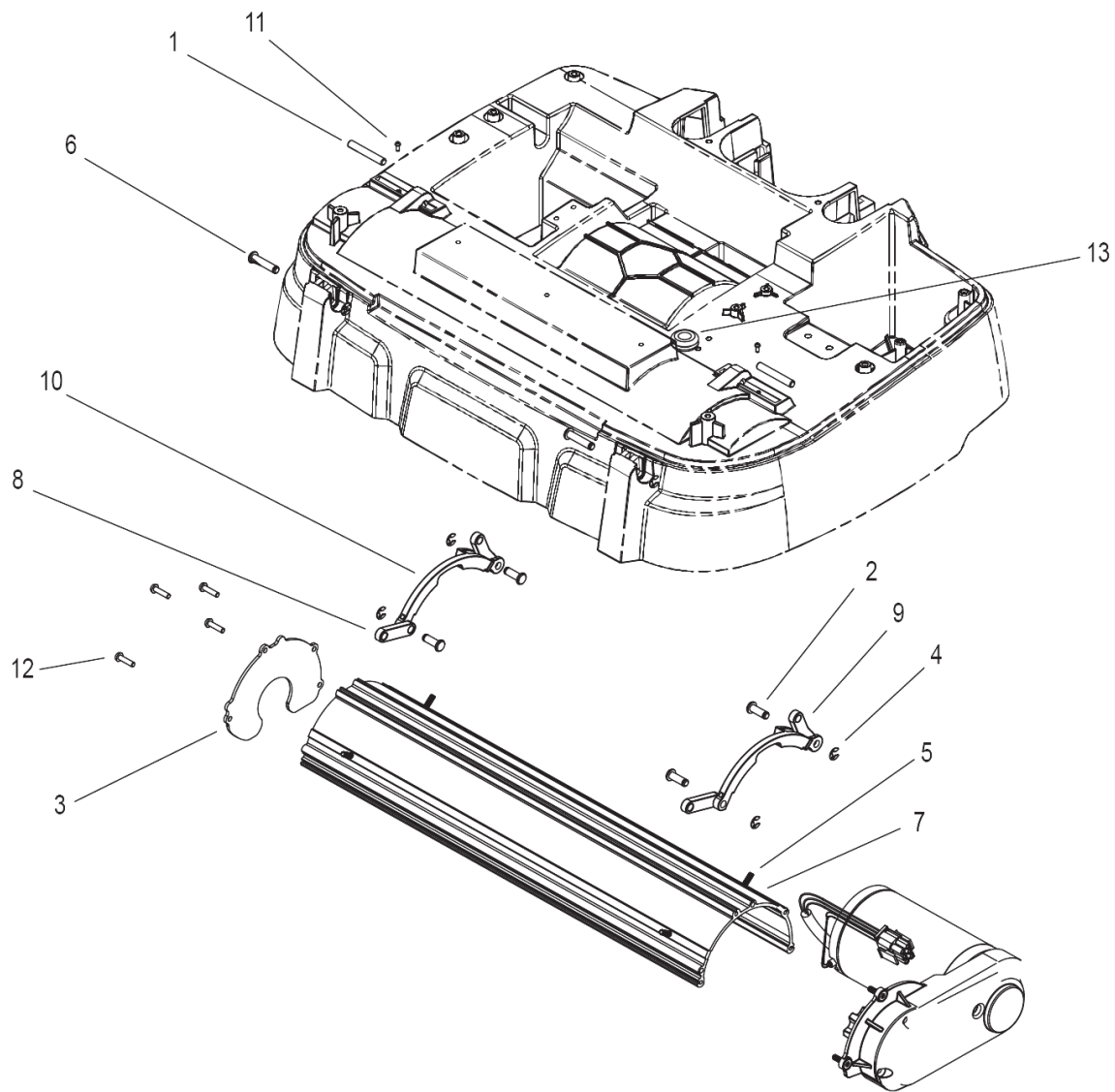
POS	Article no.	Description	Quantity	Unit	Remark
1	8.645-176.0	Cable harness deck BRC 45/38	1	PC	Not Shown
2	8.645-168.0	Hose tee 3/8 x 1/4 x 1/4	1	PC	
3	8.645-167.0	Bulkhead adapter 3/8 X 1/4 FPT	1	PC	
4	8.645-166.0	Adapter nipple 1/4 NPT	1	PC	
5	8.645-118.0	Plate accessory tool	1	PC	
6	8.645-090.0	Screw M6 x 1 x 12mm FLG BH SS	13	PC	
7	8.645-089.0	Bracket mount solenoids	1	PC	
8	8.645-074.0	Bracket deck support rear	1	PC	
9	8.645-072.0	Divider 3/8" 3-way valve	1	PC	
10	8.645-065.0	Hose interim nozzle	1	PC	Not Shown
11	8.645-064.0	Hose delivery tee	1	PC	Not Shown
12	8.645-063.0	Hose DE nozzle	2	PC	Not Shown
13	8.645-062.0	Hose deep extract supply	1	PC	Not Shown
14	8.645-061.0	Hose interim supply	1	PC	Not Shown
15	8.645-060.0	Hose accessory supply	1	PC	Not Shown
16	8.644-974.0	Pivot deck	1	PC	
17	8.644-505.0	Solenoid 3/8" x 1/4" 110VAC	1	PC	
18	8.644-490.0	Cover deck top rear	1	PC	
19	8.644-420.0	Solenoid 3/8" x 3/8" 110VAC	1	PC	
20	8.642-636.0	Cover deck top front	1	PC	
21	7.777-999.0	Stockpiling discontinued	22	PC	
22	8.636-712.0	ELBOW, JG, 3/8 STEM X 3/8 TUBE	1	PC	
23	8.627-424.0	SCREW, M4-.7 X 10 PHPNHMS DIN7985 ZNPLT	4	PC	
24	8.623-317.0	Clamp 3/8 NYLON UL/CSA	2	PC	
25	8.600-558.0	Nipple 1/4 FPT QD	1	PC	





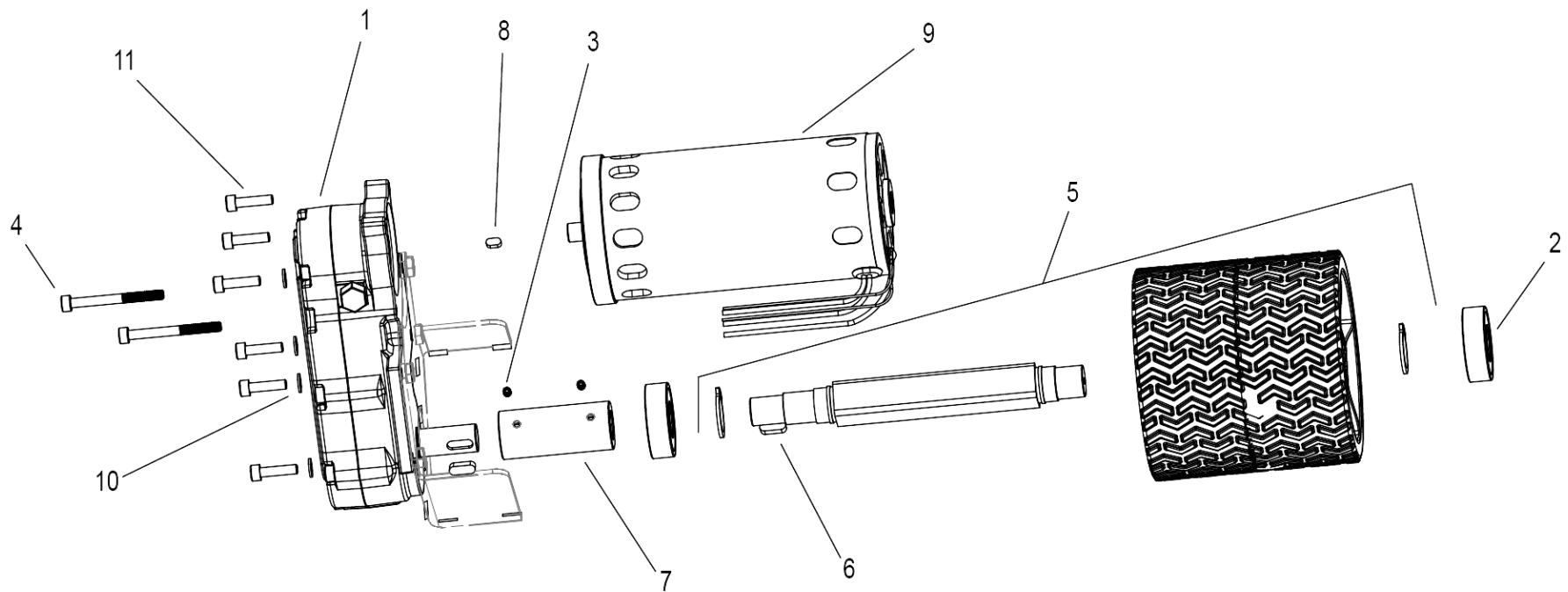
## 20 Deck Brush Assembly

POS	Article no.	Description	Quantity	Unit
1	8.645-181.0	Brush motor 115V	1	PC
2	8.645-173.0	Pulley 3M HTD 48Z	1	PC
3	8.645-172.0	Pulley 3M HTD 40Z FLG	1	PC
4	8.645-161.0	Screw M4-0,7 X 16 TFLHMS SS	8	PC
5	8.645-159.0	Screw M4-0,7 V5 SCHCS SET	2	PC
6	8.645-158.0	Screw M5-0,8 X 50 SCHCS SS	4	PC
7	8.645-156.0	Screw M5 X 14 TFLH TF SS	9	PC
8	8.645-278.0	Brush housing assembly	1	PC
9	8.644-368.0	Belt housing cover	1	PC
10	8.644-348.0	Subframe traction bracket	1	PC
11	8.643-753.0	Belt 3M HTD 336x9	1	PC
12	8.643-030.0	Cover deck lower BRC 45/40	1	PC
13	8.642-644.0	Bearing mount	2	PC
14	8.627-099.0	NUT, 10-32 HEX NYLOCK SS	2	PC



## 30 Deck Brush Mount

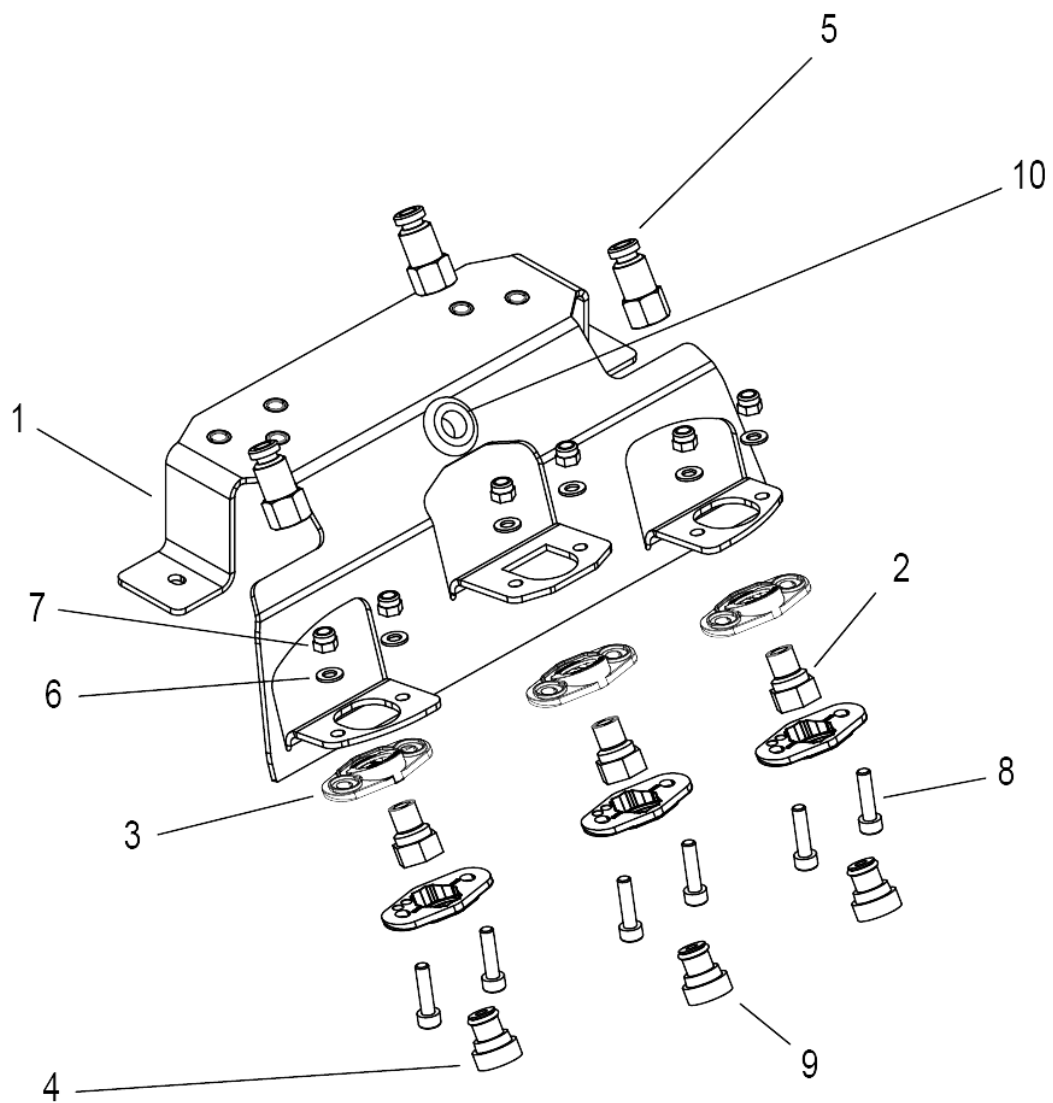
POS	Article no.	Description	Quantity	Unit
1	8.645-165.0	Dowel pin 6x40mm	2	PC
2	8.645-164.0	Locking pin 6x15mm	4	PC
3	8.645-163.0	Plate brush retainer	1	PC
4	8.645-162.0	Snap ring radial 5MM DIN 6799	6	PC
5	8.645-161.0	Screw M4-0,7 X 16 TFLHMS SS	8	PC
6	8.645-160.0	Locking pin 6x25mm	2	PC
7	8.644-488.0	Brush chassis RC 45	1	PC
8	8.644-360.0	Brush deck link front	2	PC
9	8.644-359.0	Brush deck link rear	2	PC
10	8.644-357.0	Brush chassis mount	2	PC
11	8.644-339.0	Screw M2.5x6mm TXP PNH PT SS	2	PC
12	7.777-999.0	Stockpiling discontinued	4	PC
13	8.601-253.0	GROMMET, 9.3MM ID X 23MM OD	1	PC



## 40 Deck Drive

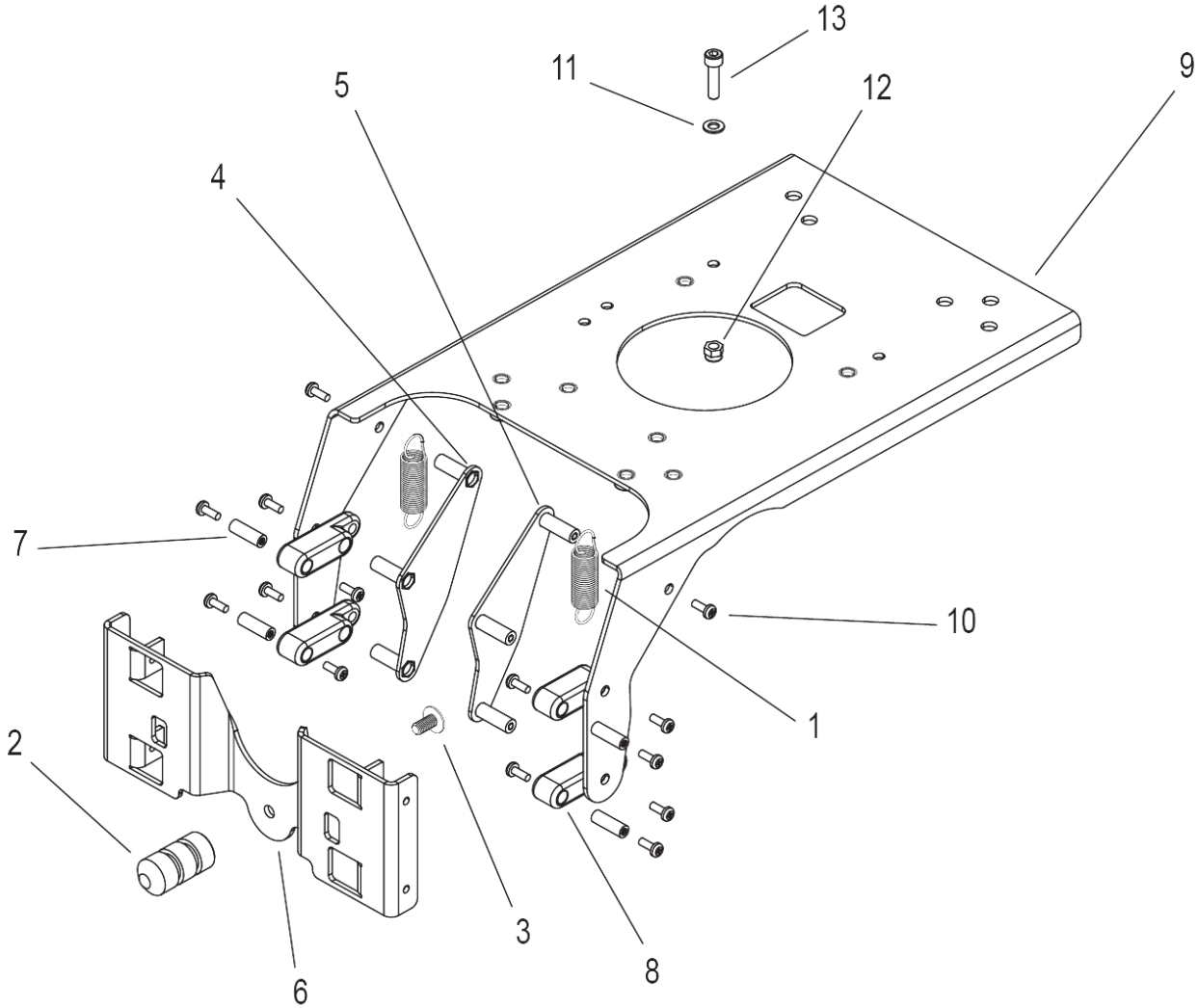
---

POS	Article no.	Description	Quantity	Unit
1	8.645-171.0	Drive transmission gearbox	1	PC
2	8.645-170.0	Ball bearing 6203-2RS	2	PC
3	8.645-159.0	Screw M4-0,7 V5 SCHCS SET	2	PC
4	8.645-158.0	Screw M5-0,8 X 50 SCHCS SS	2	PC
5	8.645-279.0	Drive wheel assembly	1	PC
6	8.645-155.0	Key 5x5x14 CS GR1045	2	PC
7	8.645-154.0	Sleeve coupler	1	PC
8	8.645-070.0	Key 4x4x8 CS GR1045	1	PC
9	8.644-350.0	Motor 90VDC 115RPM .17HP	1	PC
10	8.617-335.0	WASHER, M5 FLT SS ISO7089	4	PC
11	7.306-158.0	Cylinder head screw M 5x20-A4-70 ISO 47	6	PC



## 50 Deck Jets

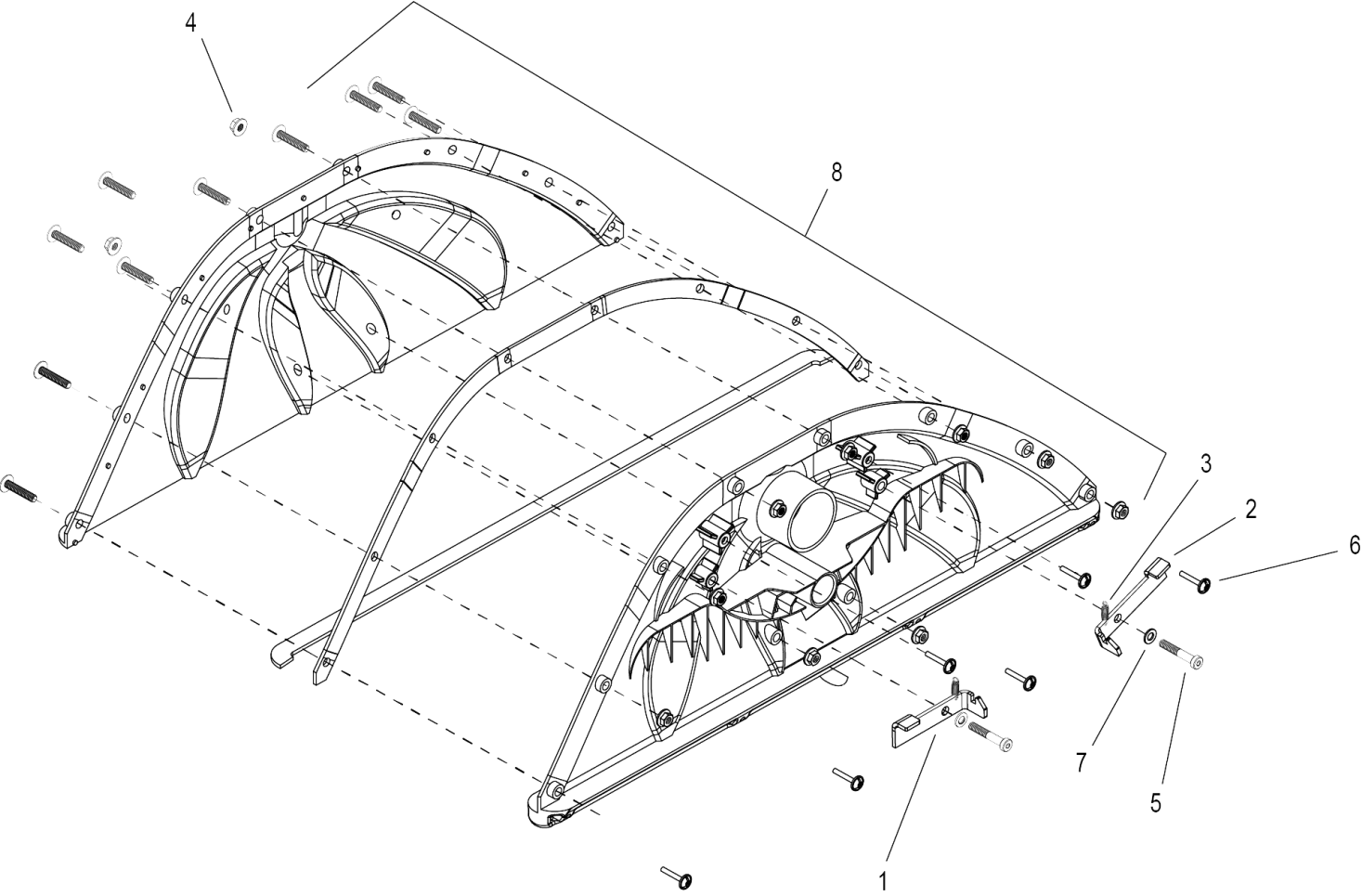
POS	Article no.	Description	Quantity	Unit
1	8.645-150.0	Bracket jet mount asm	1	PC
2	8.600-457.0	JET BODY, MINI PROMAX BODY	3	PC
3	8.644-696.0	Nozzle holder	6	PC
4	8.641-278.0	JET, MINI PROMAX 8003	2	PC
5	8.600-248.0	Connector 1/8FPT X 1/4 TUBEQC	3	PC
6	8.617-335.0	WASHER, M5 FLT SS ISO7089	6	PC
7	7.311-421.0	Hexagon nut M 5-04-A2E DIN 985	6	PC
8	7.306-158.0	Cylinder head screw M 5x20-A4-70 ISO 47	6	PC
9	8.645-446.0	JET MINI PROMAX 11002	1	PC
10	8.601-253.0	GROMMET, 9.3MM ID X 23MM OD	1	PC





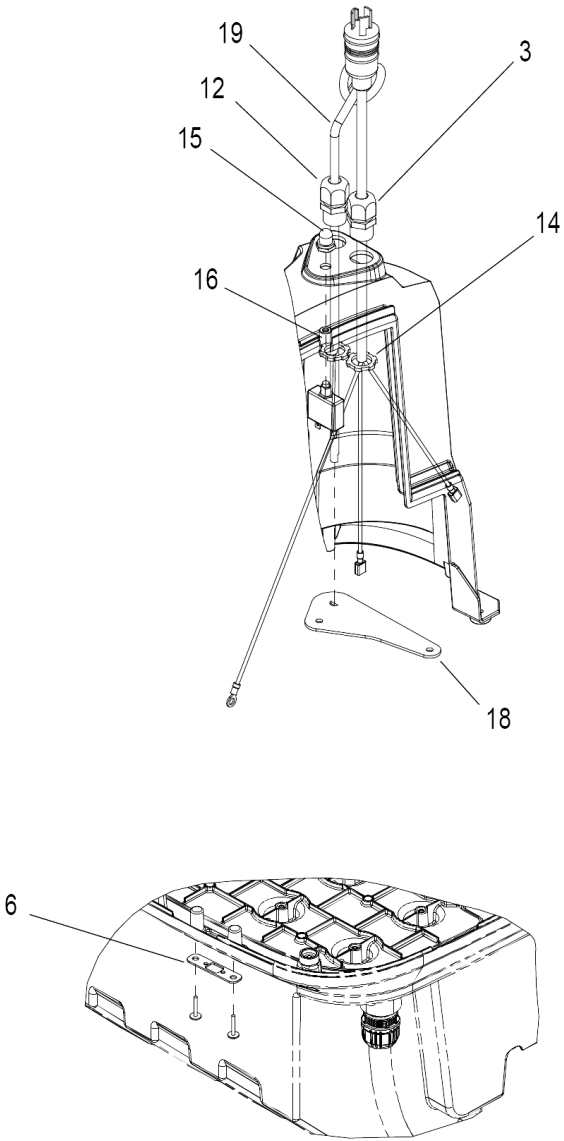
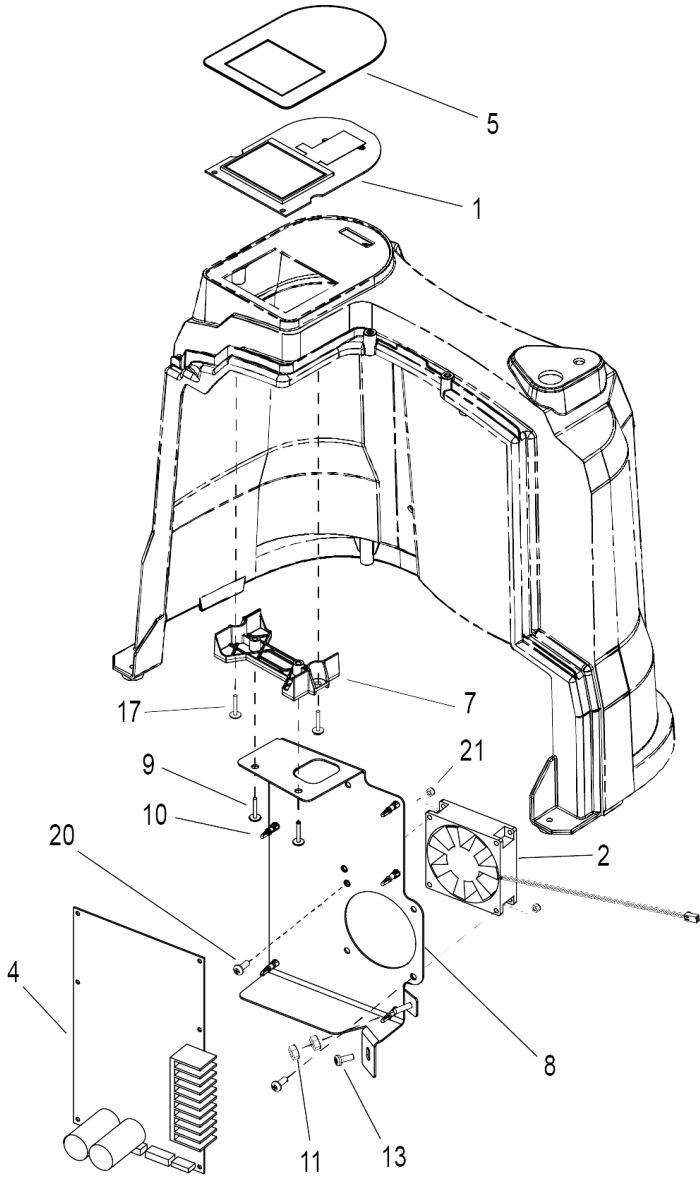
## 60 Deck Top Plate

POS	Article no.	Description	Quantity	Unit
1	8.645-169.0	Extension spring .50D X 2L	2	PC
2	8.645-093.0	Pivot stud	1	PC
3	8.645-090.0	Screw M6 x 1 x 12mm FLG BH SS	1	PC
4	8.645-068.0	Plate vac shoe support right	1	PC
5	8.645-067.0	Plate vac shoe support left	1	PC
6	8.644-504.0	Bracket mount vac shoe	1	PC
7	8.644-502.0	Standoff 6-32 x .25"OD x .75"L	4	PC
8	8.644-499.0	connecting link vac shoe	4	PC
9	8.644-496.0	Frame bracket	1	PC
10	8.627-399.0	SCREW, 6-32 X .375 PHPNHMS SS	14	PC
11	8.617-335.0	WASHER, M5 FLT SS ISO7089	1	PC
12	7.311-421.0	Hexagon nut M 5-04-A2E DIN 985	1	PC
13	7.306-158.0	Cylinder head screw M 5x20-A4-70 ISO 47	1	PC



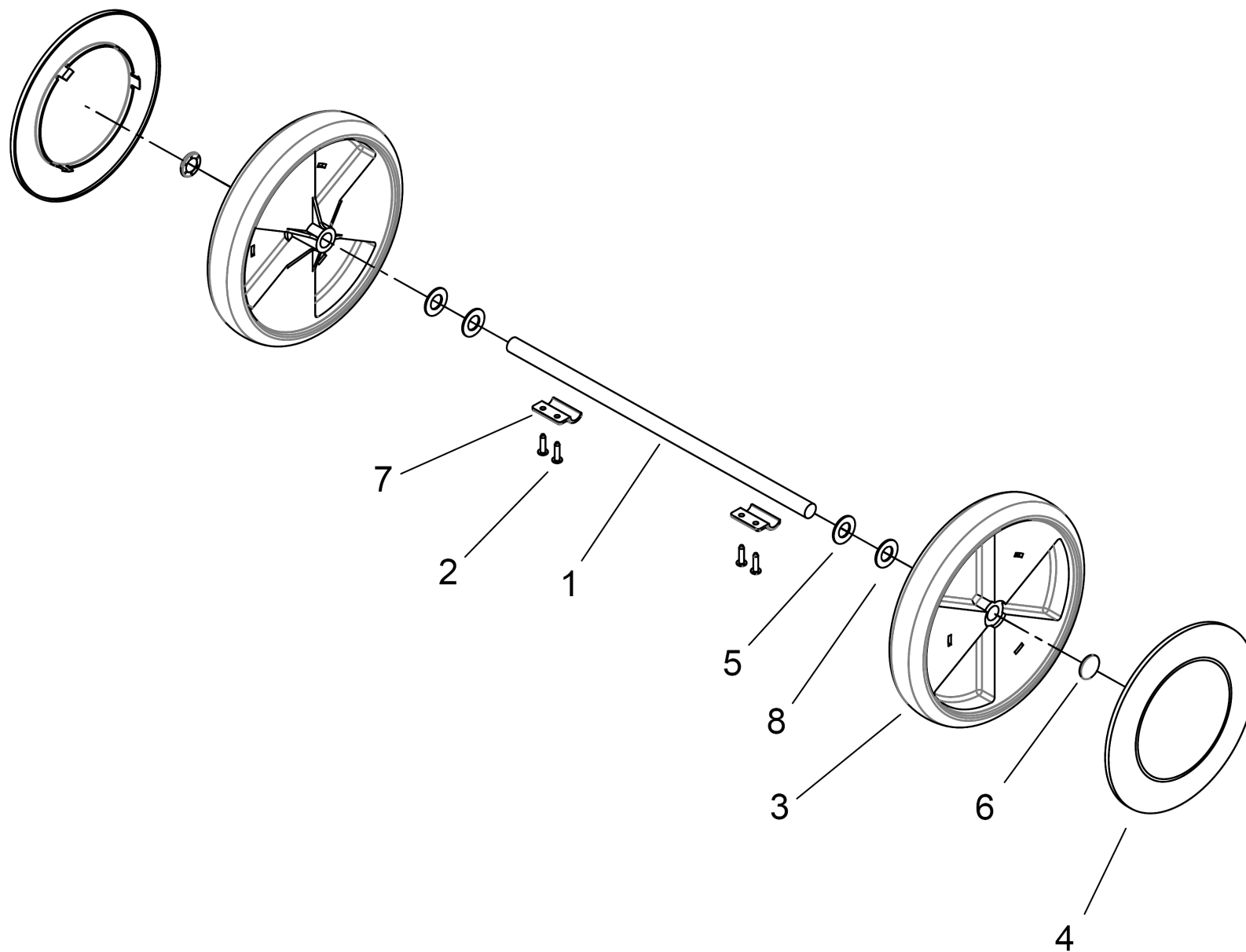
## 70 Deck Vac Shoe

POS	Article no.	Description	Quantity	Unit	Remark
1	8.645-095.0	VAC shoe handle left	1	PC	
2	8.645-094.0	VAC shoe handle right	1	PC	
3	8.644-978.0	Extension spring 0.18" OD 0.625" L	2	PC	
4	8.644-501.0	Nut M5x0.8mm HEX NYLOCK SS	2	PC	
5	8.644-500.0	Screw M5 x 0.8 x 30mm SHCS SS	2	PC	
6	7.777-999.0	Stockpiling discontinued	6	PC	
7	8.617-335.0	WASHER, M5 FLT SS ISO7089	2	PC	
8	8.645-277.0	VAC shoe assembly	1	PC	Service Part



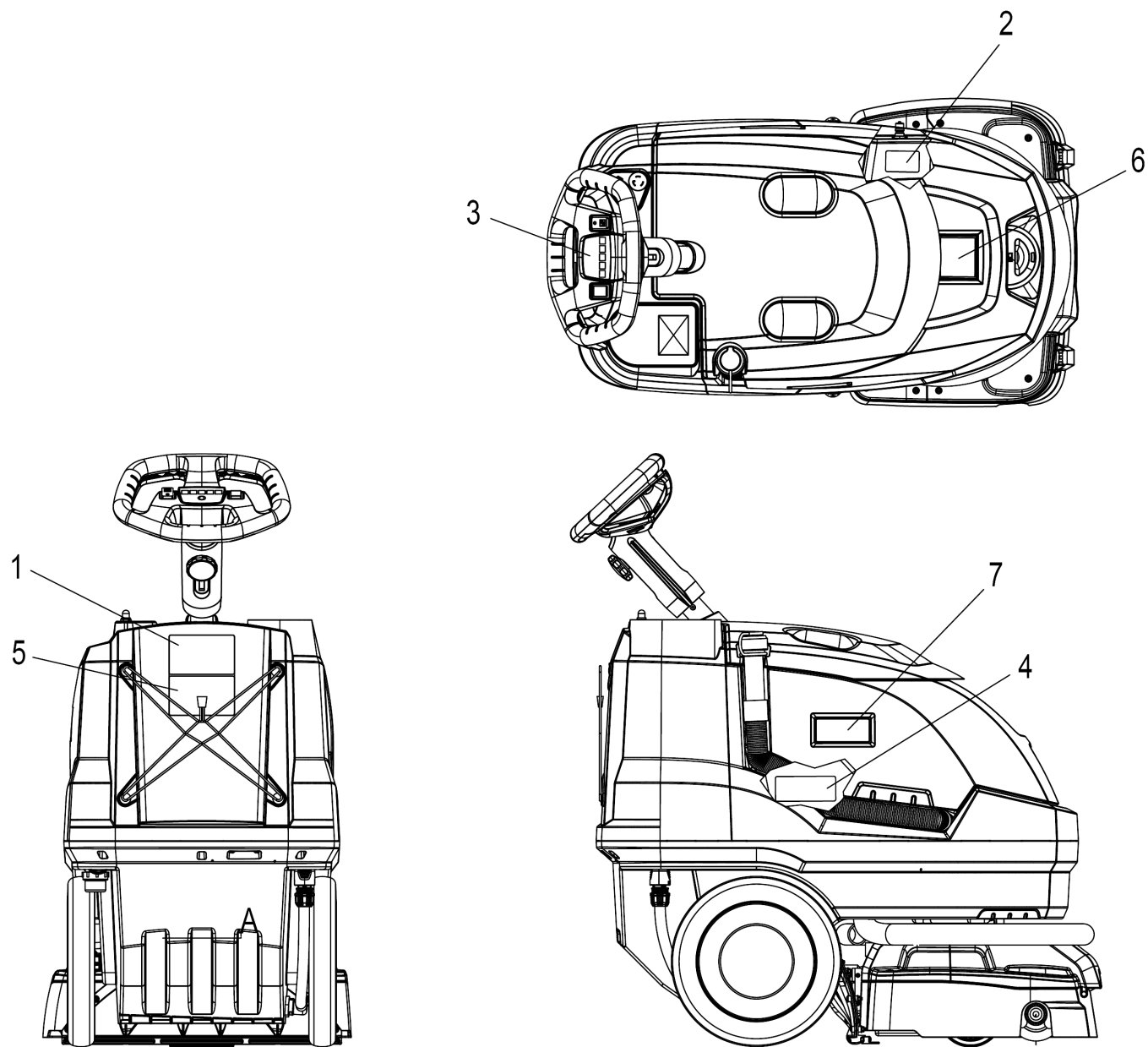
## 80 Electrical

POS	Article no.	Description	Quantity	Unit
1	8.645-110.0	Control board assembly HMI BRC 45/38	1	PC
2	8.643-750.0	Board fan	1	PC
3	8.643-468.0	Cord assembly 120V 14/3 22 inch yellow	1	PC
4	8.643-008.0	Control board assembly 120V BRC 45/38	1	PC
5	8.642-677.0	Label membrane BRC 45/38	1	PC
6	8.642-628.0	Plate USB Mounting	1	PC
7	8.642-616.0	Mount HMI	1	PC
8	8.642-611.0	Bracket PCB Mounting	1	PC
9	7.777-999.0	Stockpiling discontinued	4	PC
10	8.638-654.0	STANDOFF, NYLON, KEYSTONE 9063	6	PC
11	8.600-570.0	NUT, 10-32 HEXSTRW LK STL ZNPLT	2	PC
12	8.645-449.0	Cord grip black	1	PC
13	8.600-659.0	SCREW, 10-32 X .5 PHPNHMS SS NP	1	PC
14	8.600-567.0	NUT, 1/2-14 CONDUIT LK STL ZNPLT	2	PC
15	8.600-201.0	BOOT, 3/8 CIRCUIT BREAKER	1	PC
16	8.600-173.0	BREAKER, 18A 250VAC, 50VDC	1	PC
17	8.617-298.0	SCREW, KA50 X 10 OVHCS STL WN1412 ZNPLT	2	PC
18	8.645-448.0	Plate cord holder	1	PC
19	8.645-512.0	Cord holder rod painted	1	PC
20	8.627-395.0	SCREW, 6-32 X .5 PHPNHMS SS	2	PC
21	8.627-092.0	NUT, 6-32 HEX NYLOCK SS	2	PC



90 Frame

POS	Article no.	Description	Quantity	Unit	Remark
1	8.640-496.0	Axle 5/8" OD x 19.48"	1	PC	
2	7.777-999.0	Stockpiling discontinued	3	PC	
3	8.630-979.0	Wheel 12" x 2.25"	2	PC	
4	8.630-007.0	HUBCAP, 9.75" WHEEL, BLACK	2	PC	
5	7.777-999.0	Stockpiling discontinued	2	PC	WASHER, 5/8 X .64 X 1.188 SS
6	8.600-166.0	HUBCAP, 5/8" SHAFT	2	PC	
7	5.037-309.0	Fixing axle	2	PC	
8	8.645-414.0	Spacer 5/8" ID X 3/4" L	2	PC	

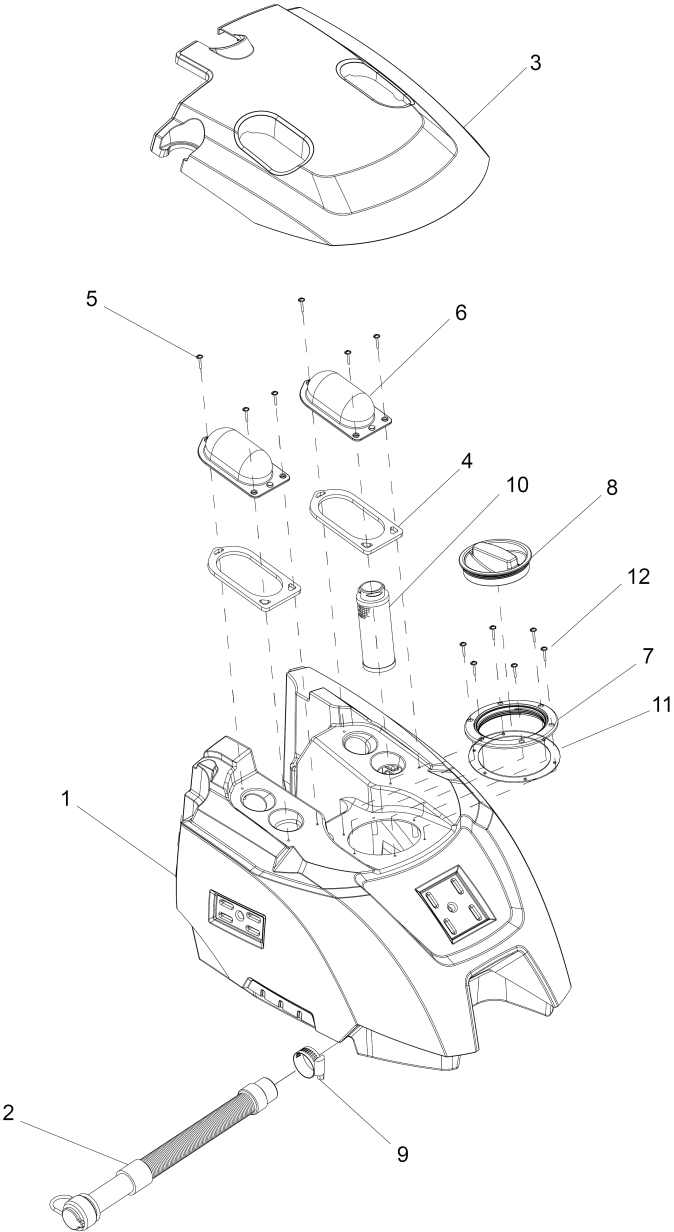




## 100 Labels

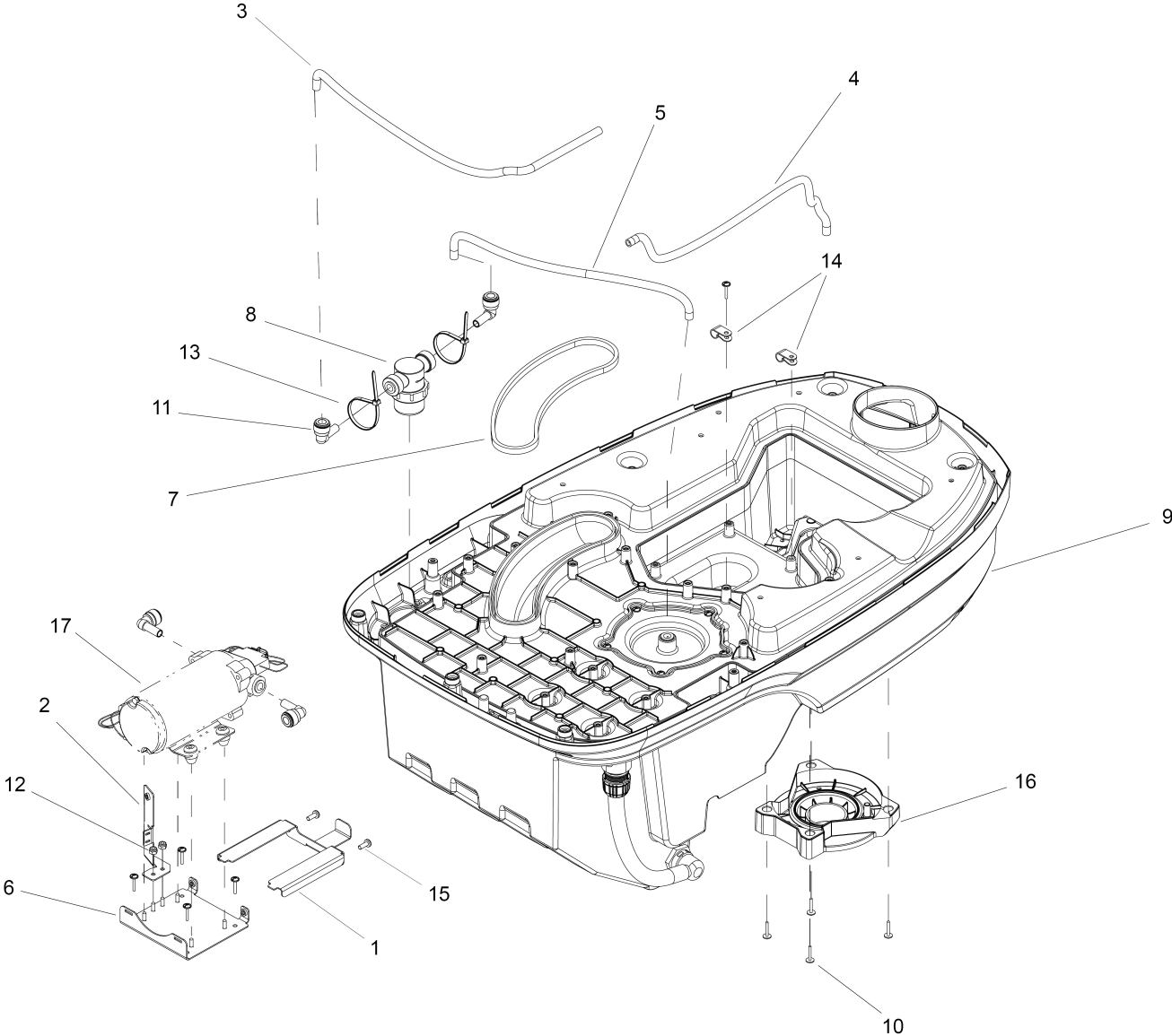
---

<b>POS</b>	<b>Article no.</b>	<b>Description</b>	<b>Quantity</b>	<b>Unit</b>
1	8.645-208.0	Label QR code BRC 45/38	1	PC
2	8.640-249.0	LABEL, PINCH HAZARD	1	PC
3	8.640-230.0	LABEL, ARMADA LIGHT PANEL	1	PC
4	8.624-322.0	LABEL, DATA LAMINATE	1	PC
5	8.624-223.0	LABEL, WARNING	1	PC
6	5.385-518.0	Label signet glued XL Professional	1	PC
7	5.385-512.0	Label logo glued L Professional	2	PC



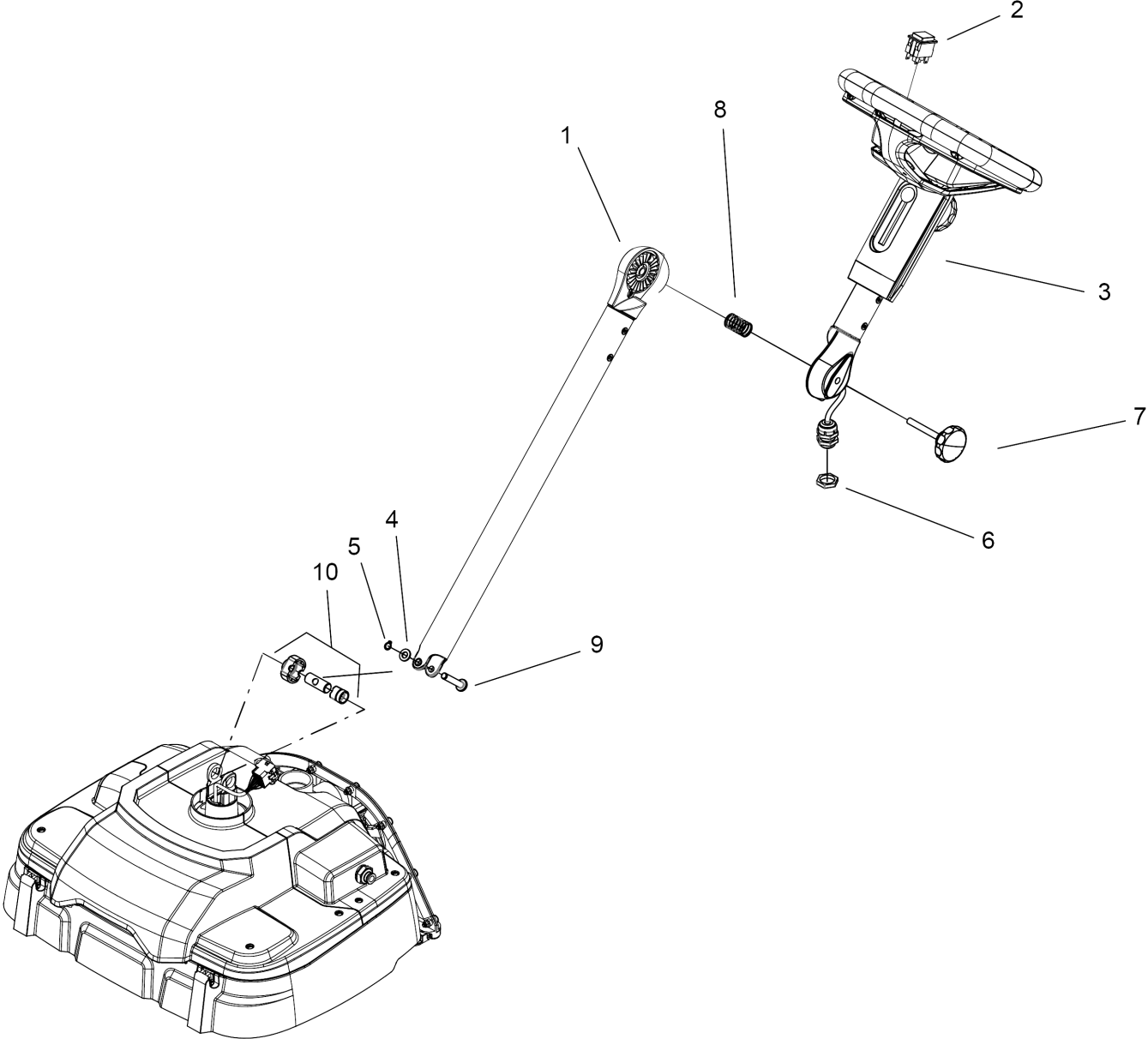
110 Recovery

POS	Article no.	Description	Quantity	Unit
1	8.645-185.0	Tank recovery trimmed	1	PC
2	8.642-643.0	Hose Recovery Drain 17" Long	1	PC
3	8.640-479.0	Lid Recovery Tank	1	PC
4	8.640-341.0	GASKET, DOME, .25" THICK	2	PC
5	7.777-999.0	Stockpiling discontinued	6	PC
6	8.639-719.0	DOME, CLEAR, RECOVERY	2	PC
7	8.631-762.0	FLANGE, WITH O-RING	1	PC
8	8.631-416.0	COVER, FILLPORT 4"	1	PC
9	8.617-705.0	CLAMP, HOSE #20	1	PC
10	8.600-363.0	Float SHUT-OFF	1	PC
11	8.631-761.0	GASKET, 5.5 ODX4.5 IDX.06W/PSA	1	PC
12	8.627-580.0	SCREW, 8-32 X .75 PHFLHMS	6	PC



120 Solution

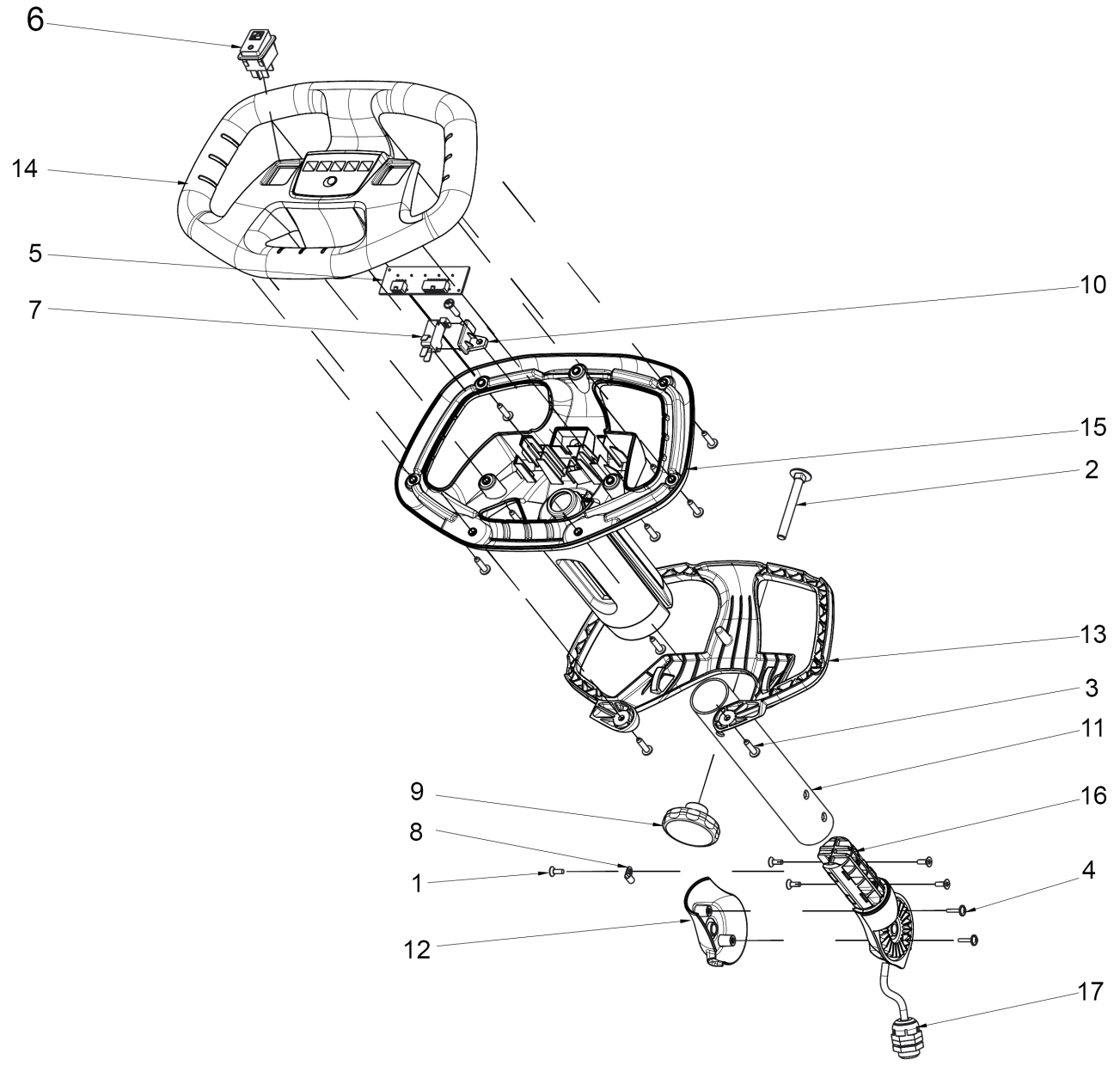
POS	Article no.	Description	Quantity	Unit
1	8.643-801.0	Bracket Solution Pump	1	PC
2	8.643-758.0	Bracket PCB Support	1	PC
3	8.643-757.0	Hose 3/8" OD 22" length	1	PC
4	8.643-756.0	Hose 3/8" OD 29" length	1	PC
5	8.643-755.0	Hose 3/8" OD 17.25" length	1	PC
6	8.642-612.0	Bracket pump mounting	1	PC
7	8.640-973.0	GASKET, .188 X .31 X 24	6	PC
8	8.640-946.0	STRAINER, ASSEMBLY	1	PC
9	8.640-518.0	Assembly Solution Tank 10 Gallon	1	PC
10	8.640-335.0	SCREW, KA50X20 TSLTD SS BLK ZNPLT	9	PC
11	8.636-712.0	ELBOW, JG, 3/8 STEM X 3/8 TUBE	4	PC
12	8.627-085.0	Lock nut	2	PC
13	8.626-494.0	Cable tie 11.38" UL/CSA	2	PC
14	8.623-317.0	Clamp 3/8 NYLON UL/CSA	2	PC
15	8.600-659.0	SCREW, 10-32 X .5 PHPNHMS SS NP	2	PC
16	5.037-285.0	Bearing brush-head	1	PC
17	8.642-414.0	ASSEMBLY, PUMP, 120V	1	PC



## 130 Steering

---

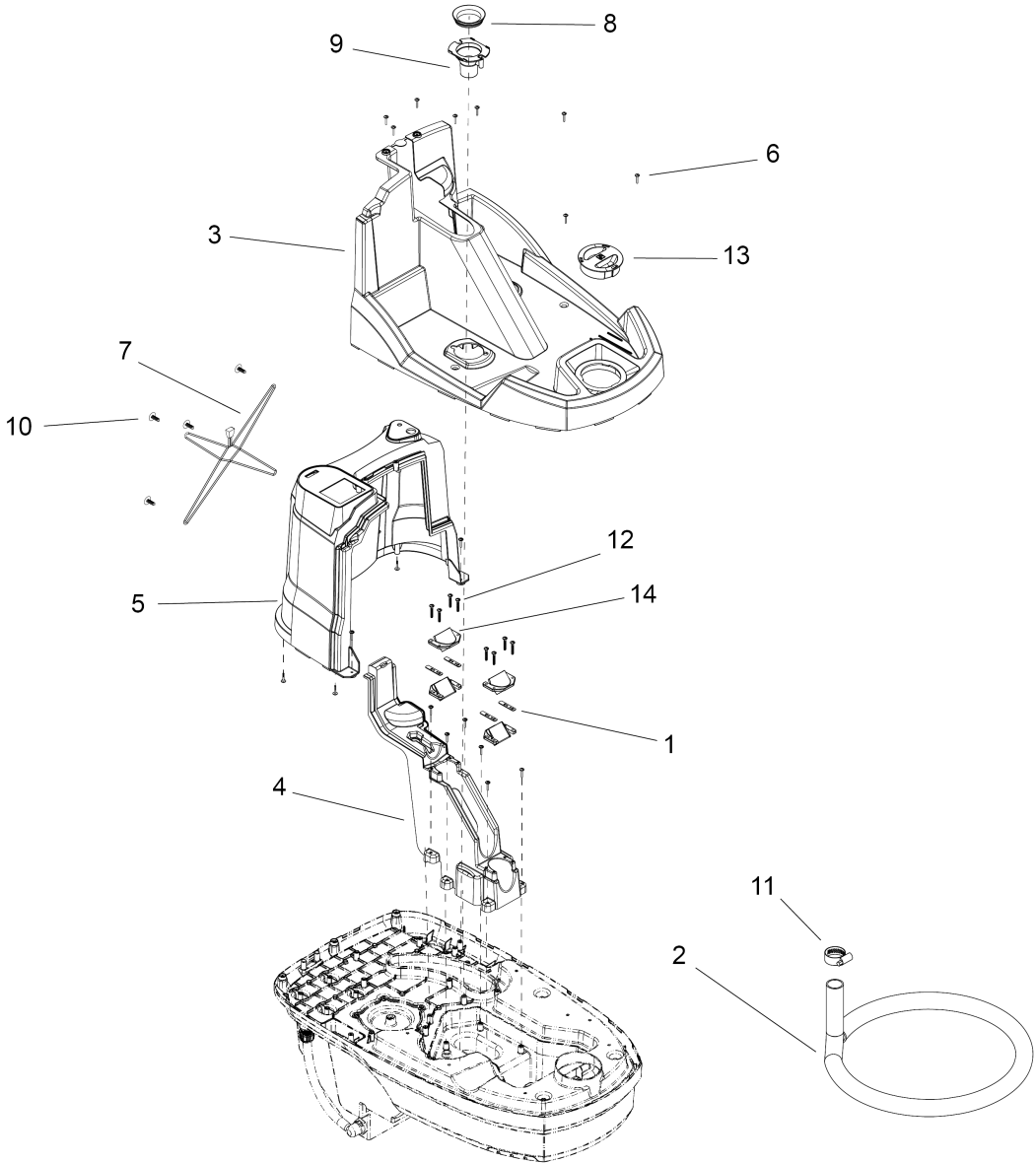
POS	Article no.	Description	Quantity	Unit
1	8.640-471.0	LOWER STEERING PILLAR	1	PC
2	8.640-352.0	SWITCH, ROCKER MOM, DP ST	1	PC
3	8.640-343.0	UPPER STEERING PILLAR	1	PC
4	8.617-330.0	WASHER, M8 FLT SS ISO7098	1	PC
5	7.343-014.0	Locking ring 8x0,8-FST-PHR DIN 471	1	PC
6	6.648-416.0	Locknut black M20	1	PC
7	6.321-179.0	Star grip	1	PC
8	5.332-981.0	Pressure spring	1	PC
9	5.037-318.0	Bolt steering pillar	1	PC
10	4.037-004.0	Bearing set	1	PC





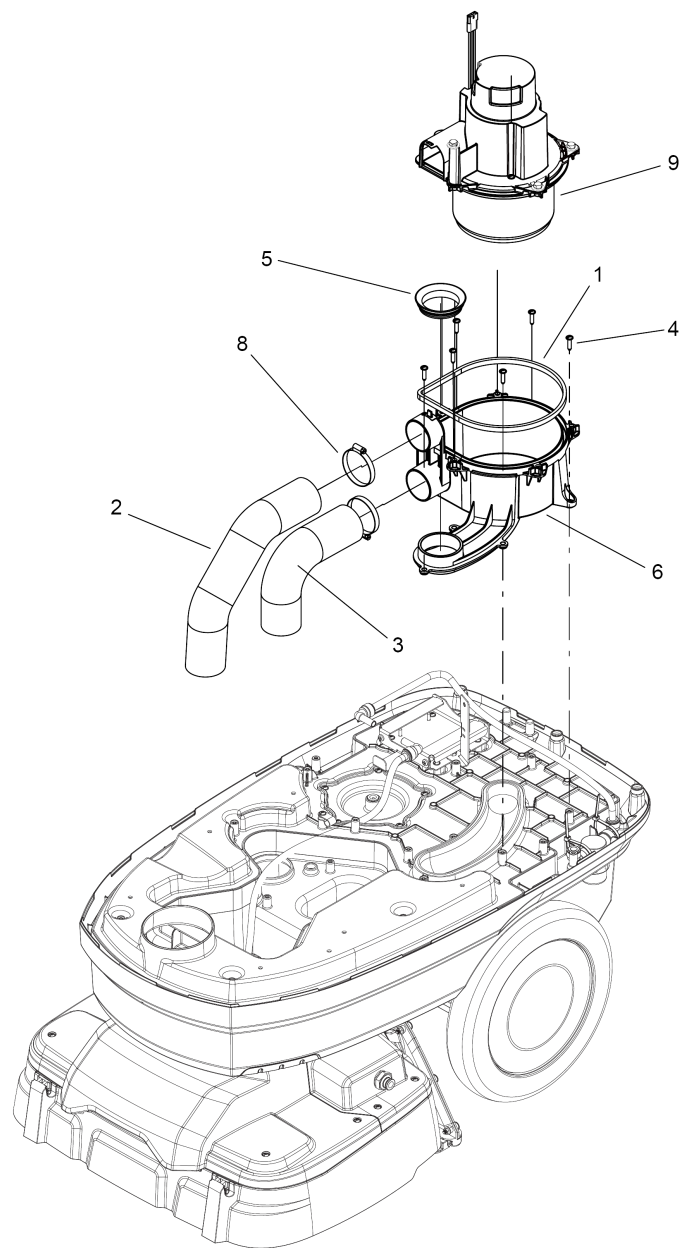
### 3 UPPER STEERING PILLAR (8.640-343.0)

POS	Article no.	Description	Quantity	Unit
1	7.303-296.0	Countersunk screw M5x16 -St-A2E (In6Rd)	5	PC
2	7.303-163.0	Saucer-head screw M8x70 -St-A0P DIN 603	1	PC
3	7.303-108.0	Screw 5x20 -10.9-R2R (In6Rd)	11	PC
4	7.303-107.0	Screw 5x16 -10.9-P2R (K-In6Rd)	2	PC
5	6.683-114.0	Diode board BR 35/12	1	PC
6	6.632-542.0	Switch pump	1	PC
7	6.631-818.0	Switch	1	PC
8	6.373-343.0	Pipe clamp D 6	1	PC
9	6.321-177.0	Turning knob yellow D55mm	1	PC
10	5.050-654.0	Retainer micro switch	1	PC
11	5.037-373.0	Steering pillar above	1	PC
12	5.037-324.0	Covering cap joint cable gland	1	PC
13	5.037-319.0	Retaining bracket switch	1	PC
14	5.037-294.0	Steering wheel top part	1	PC
15	5.037-293.0	Steering wheel bottom part	1	PC
16	5.037-292.0	Joint steering pillar	1	PC
17	4.822-113.0	Cable harness steering wheel steering pi	1	PC



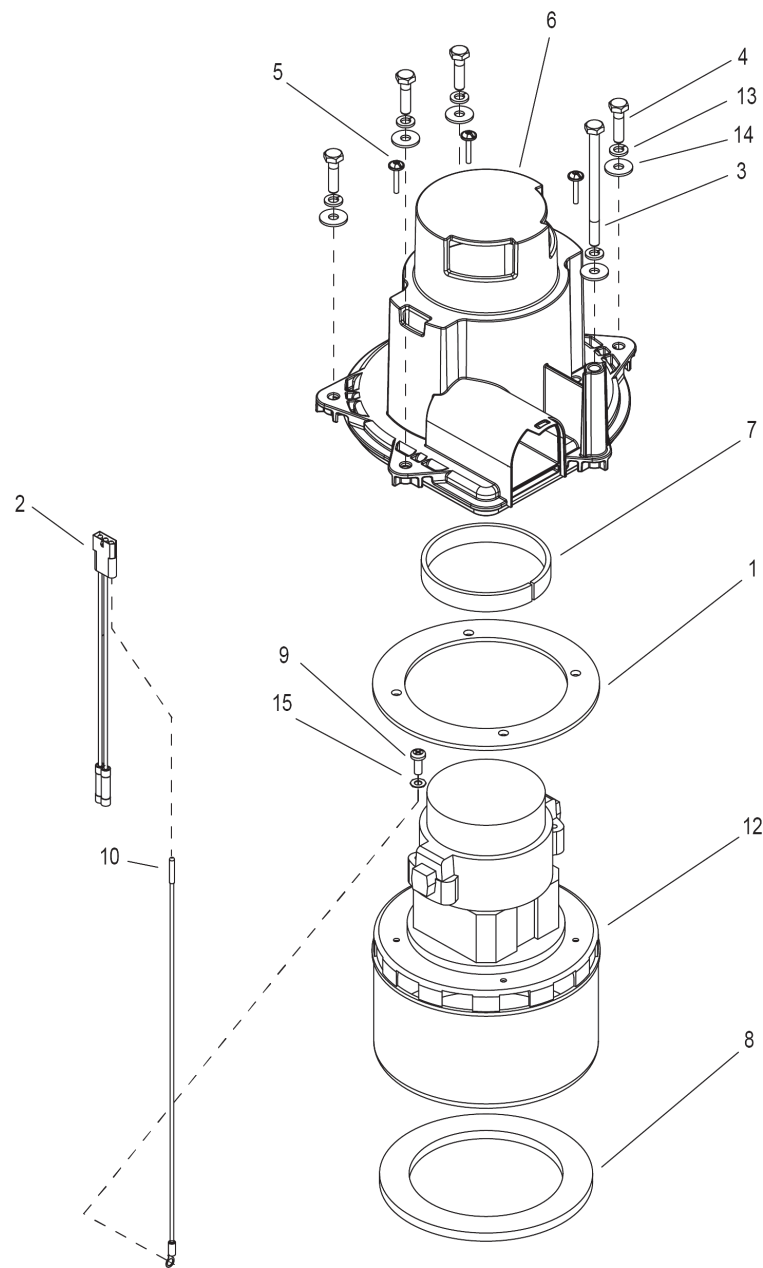
140 Tower

POS	Article no.	Description	Quantity	Unit
1	8.645-287.0	Steering column spacer	4	PC
2	8.642-625.0	Hose 1.5" x 9" 90 degree elbow	1	PC
3	8.640-477.0	Cover Access	1	PC
4	8.640-476.0	Support steering column	1	PC
5	8.640-475.0	Console	1	PC
6	7.777-999.0	Stockpiling discontinued	19	PC
7	8.640-300.0	CARGO NET	1	PC
8	8.639-777.0	SEAL, RECOVERY LIP	1	PC
9	8.639-776.0	TUBE, RECOVERY	1	PC
10	8.637-933.0	CLIP, X-MAS TREE, BLACK	4	PC
11	8.617-705.0	CLAMP, HOSE #20	1	PC
12	7.303-086.0	Screw 5x30 -10.9-R2R (K-In6Rd)	8	PC
13	5.051-294.0	Cover plate tank	1	PC
14	5.037-289.0	Half shell bearing operating unit	4	PC



## 150 Vacuum

POS	Article no.	Description	Quantity	Unit	Remark
1	8.640-973.0	GASKET, .188 X .31 X 24	1	PC	
2	8.640-351.0	HOSE, 2" ID X 14" LENGTH	1	PC	
3	8.640-350.0	HOSE, 2" ID X 11" LENGTH	1	PC	
4	7.777-999.0	Stockpiling discontinued	6	PC	
5	8.639-777.0	SEAL, RECOVERY LIP	1	PC	
6	8.639-773.0	VAC HOUSING, LOWER	1	PC	
7	8.751-338.0	CABLE, TIE 14" BLACK	1	PC	Not Shown
8	8.600-238.0	Clamp 2.25" WORM GEAR	2	PC	
9	8.641-412.0	ASSEMBLY, VACUUM, 120V	1	PC	



9 ASSEMBLY, VACUUM, 120V (8.641-412.0)

POS	Article no.	Description	Quantity	Unit	Remark
1	8.641-277.0	GASKET, UPPER VAC MOTOR	1	PC	
2	8.640-568.0	HARNESS, MOTOR	1	PC	
3	8.640-348.0	SCREW, M6X1.00X90 HHCS DIN 931 ZNPLT	1	PC	
4	8.640-347.0	SCREW, M6 X 1.00 X 25 HHCS DIN 933 ZNPLT	4	PC	
5	8.642-684.0	SCREW, KA40X20 T20 SS	3	PC	
6	8.639-772.0	VAC HOUSING, TOP	1	PC	
7	8.631-301.0	GASKET, .125T X .5 W X 9.7	1	PC	
8	8.631-292.0	GASKET, VAC MOTOR	1	PC	
9	8.627-435.0	SCREW, 10-24 X .5 PHPNHTC	1	PC	
10	7.777-999.0	Stockpiling discontinued	1	PC	
11	8.626-493.0	CABLE TIE, 3.5" UL/CSA	1	PC	Not Shown
12	8.625-845.0	VAC MOTOR, 120V 5.7 3ST LP	1	PC	
13	8.617-331.0	WASHER, M6 SPL SS DIN127B	5	PC	
14	8.601-385.0	WASHER, M6 FNDR SS ISO7093	5	PC	
15	8.601-064.0	Washer #10 LOCK EXT STAR SS	1	PC	

160 Group loose pack BRC 45/38

---

<b>POS</b>	<b>Article no.</b>	<b>Description</b>	<b>Quantity</b>	<b>Unit</b>
10	8.623-411.0	CORD SET,14/3 SJTW-A X 50' YLW	1	PC
20	8.640-500.0	Roller brush station blue BRC 45/40	1	PC



## 170 Wiring Components

---

<b>POS</b>	<b>Article no.</b>	<b>Description</b>	<b>Quantity</b>	<b>Unit</b>
1	8.643-028.0	Harness HMI	1	PC
2	8.645-182.0	Cable harness main BRC 45/38	1	PC
3	8.645-183.0	Cable harness vacuum BRC 45/38	1	PC
4	8.645-184.0	Cable harness power to board BRC 45/38	1	PC
5	8.643-011.0	Cable harness USB micro B	1	PC